

Nom du document: openbeelab_5

Page / Profile_L_petit_cote

Page001 / Profile_L_grand_cote_bati_x2

Page002 / Barrière_plaque_transport

Page004 / Profile_U_bras1

Page005 / Profile_Ubras2

Page006 / Profile_U_balancier_plan

Page007 / Pointes

Page008 / Plateau_cadre

Page009 / Balance iso

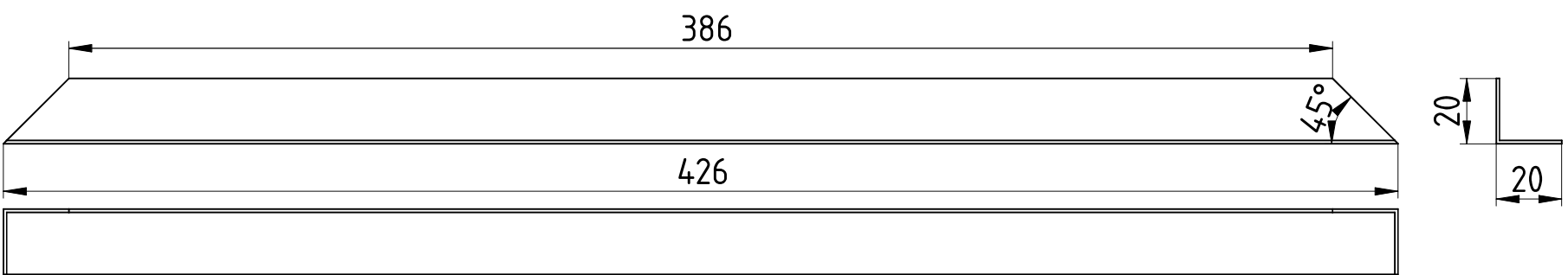
Page010 / Equerre_support_moteur

Page011 / Pointes et contrepontes

Page012 / Carter_protection

F E D C B A

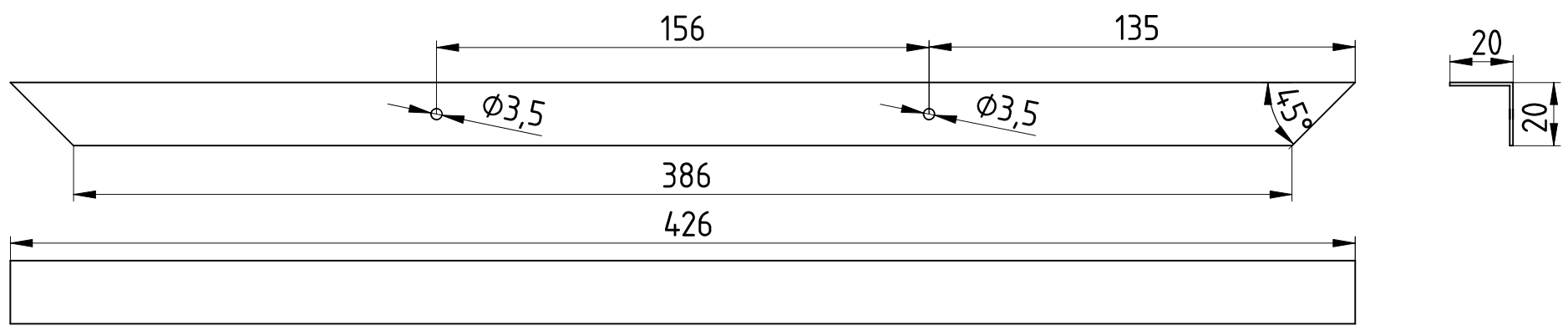
4



4

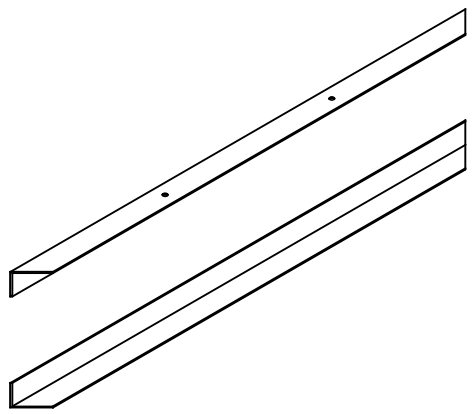
Petit coté Bâti x2

3





3

2



2

1

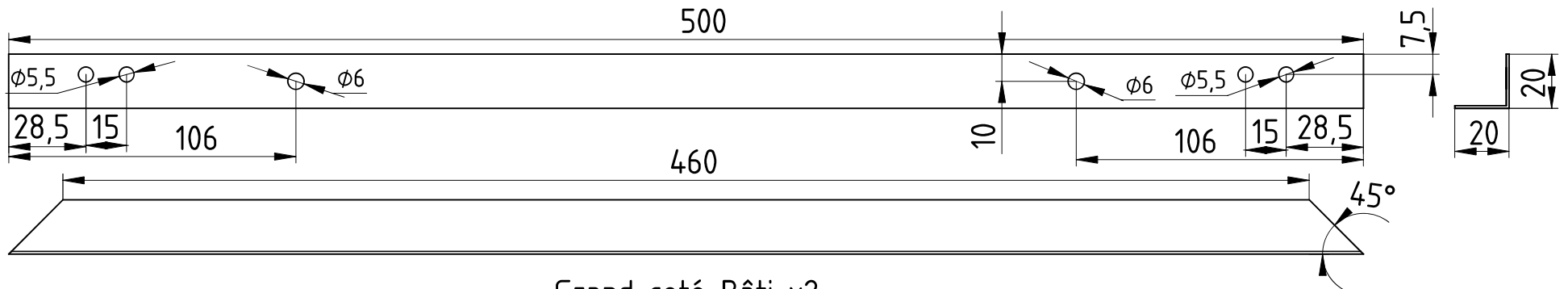
DESIGNED BY: A.Bousquet		Petit coté Plateau et bati		G	—
DATE: 02/2024		Balance Openbeelab V5		F	—
SIZE A4	Précision : ± 0.2 mm	 		E	—
SCALE 0.6	WEIGHT (kg) 0.085			D	—
DRAWING NUMBER 1		SHEET Acier		C	—
This drawing is our property; it can't be reproduced or communicated without our written consent.				B	—
				A	—

1

F E D

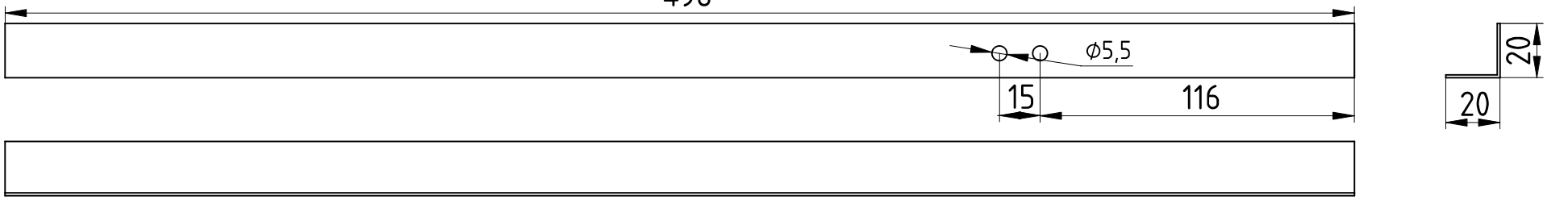
F E D C B A

4



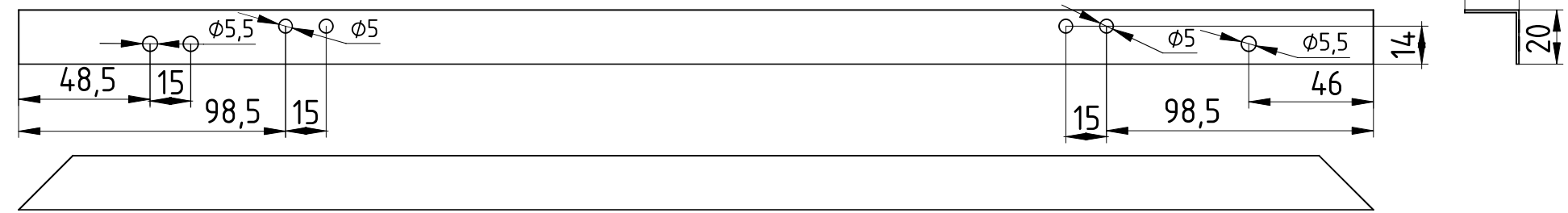
Grand coté Bâti x2
498

3



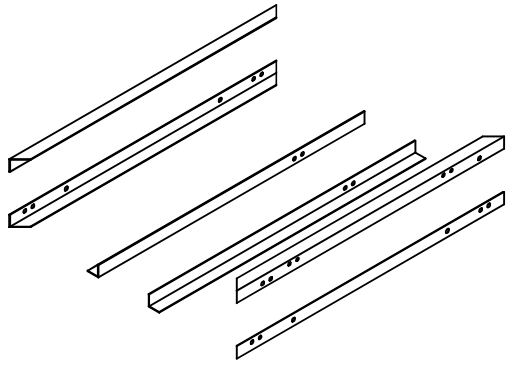
Support Bati Balancier

2



Grand coté Plateau x2

1



DESIGNED BY: A.Bousquet		Grand coté bati et plateau		G	-
DATE: 02/2024		Balance Openbeelab V5		F	-
SIZE A4	Précision : ± 0.2 mm			E	-
SCALE 0.5	WEIGHT (kg) 0.200			D	-
DRAWING NUMBER 1		SHEET Acier		C	-
This drawing is our property; it can't be reproduced or communicated without our written consent.				B	-
				A	-

F E D

4

3

2

1

F

E

D

C

B

A

4

3

2

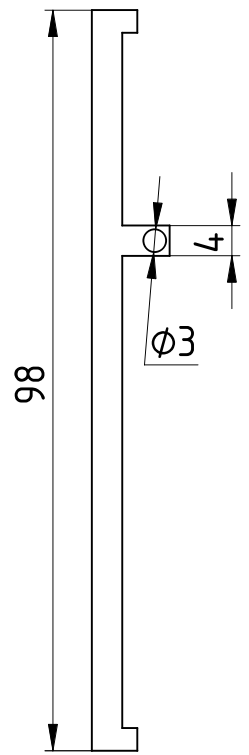
1

4

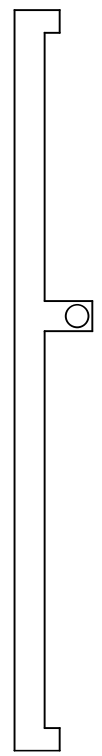
3

2

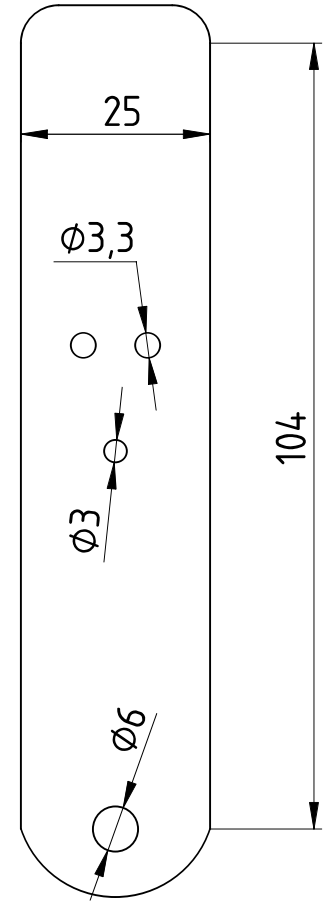
1



Barrière/Bras 1 : x2



Barrière/Bras2 : x2



Mode transport : x4



Tige fourche optique

DESIGNED BY: A.Bousquet		Barrière et plaque mode transport		F	-
DATE: 02/2024		Balance Openbeelab V5		E	-
SIZE A4	Précision : $\pm 0.2 \text{ mm}$			D	-
SCALE 1	WEIGHT (kg) 0.306			C	-
DRAWING NUMBER 2/2		SHEET Acier		B	-
This drawing is our property; it can't be reproduced or communicated without our written consent.				A	-

F

E

D

F

E

D

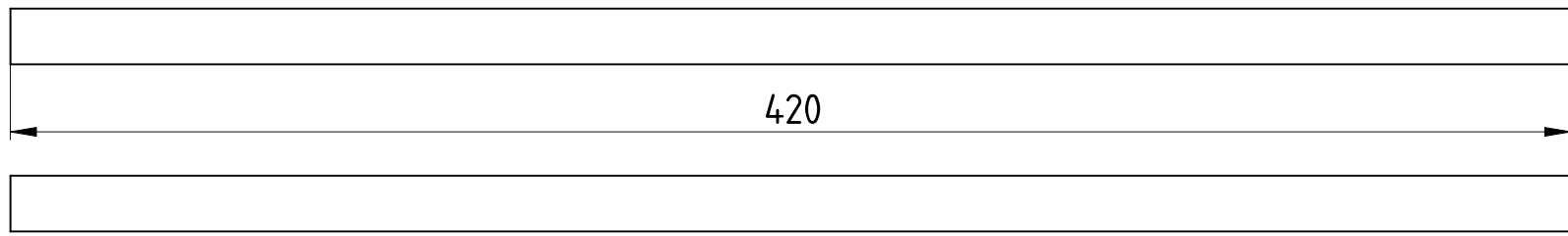
C

B

A

4

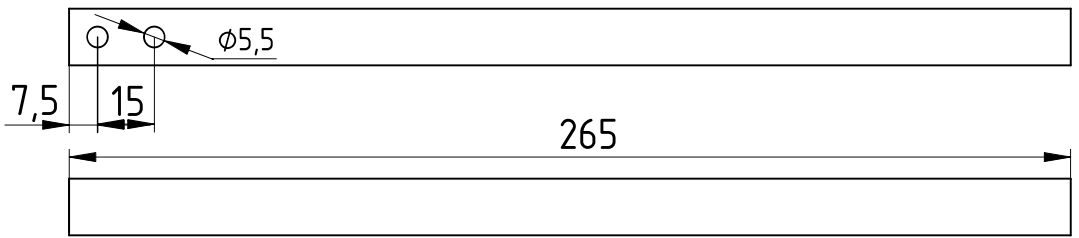
4



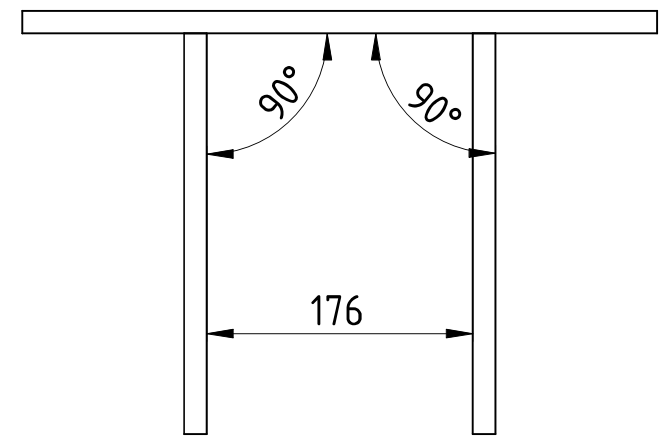
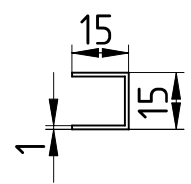
Base du bras : x1

3

3



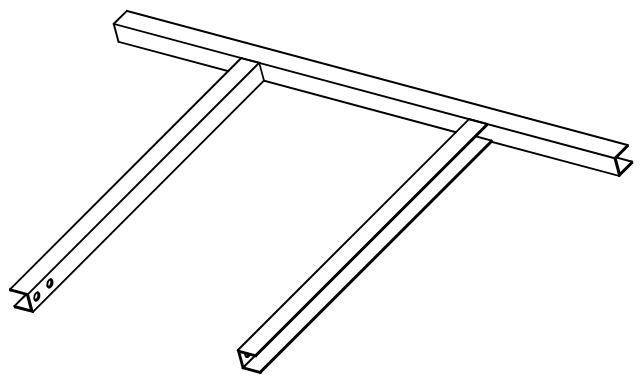
Petit U : x2



Bras dessus



2

2



1

1

DESIGNED BY: A.Bousquet		Profilé U pour le Bras 1		G	-
DATE: 02/2024		Balance Openbeelab V5		F	-
SIZE A4	Précision : ± 0.2 mm	 		E	-
SCALE 0.5	WEIGHT (kg) 0.397			DRAWING NUMBER 1	SHEET Acier
This drawing is our property; it can't be reproduced or communicated without our written consent.				C	-
				B	-
				A	-

F

E

D

F

E

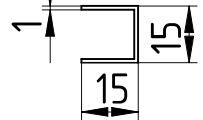
D

C

B

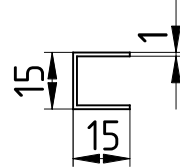
A

420

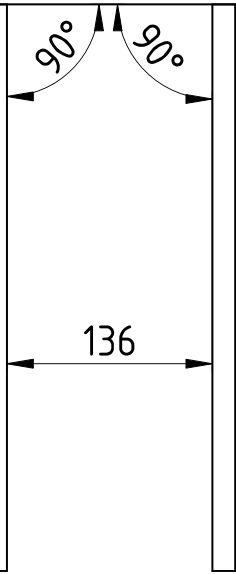


Base du bras 2 : x1

375



Petit U bras 2 : x2



136

DESIGNED BY: A.Bousquet		Profilé U pour bras 2		G	-
DATE: 02/2024		Balance Openbeelab V5		F	-
SIZE A4	Précision : ± 0.2 mm			E	-
SCALE 0.5	WEIGHT (kg) 0.490			D	-
DRAWING NUMBER 1		SHEET Acier		C	-
This drawing is our property; it can't be reproduced or communicated without our written consent.				B	-
				A	-

F

E

D

4

3

2

1

F

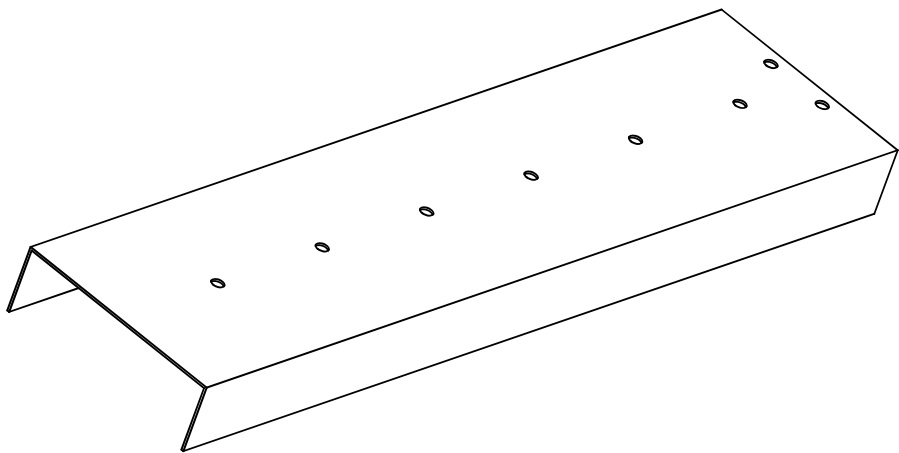
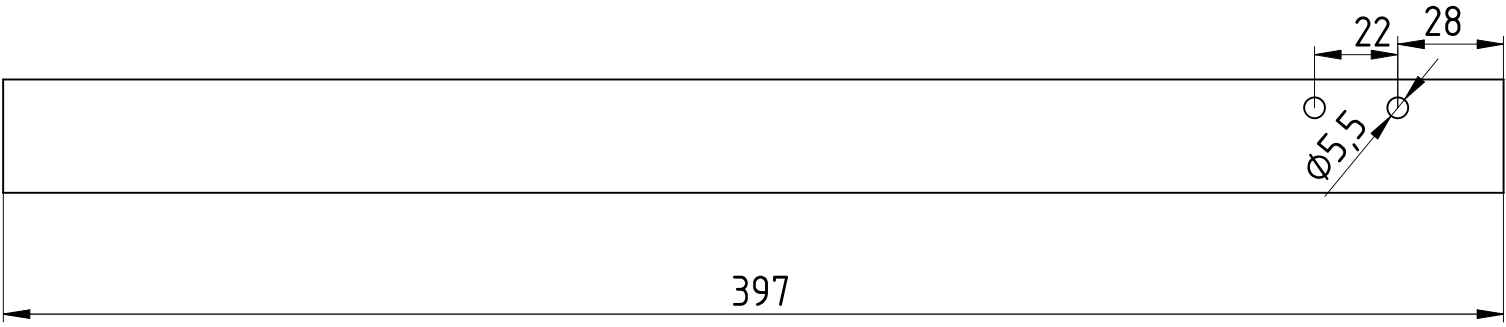
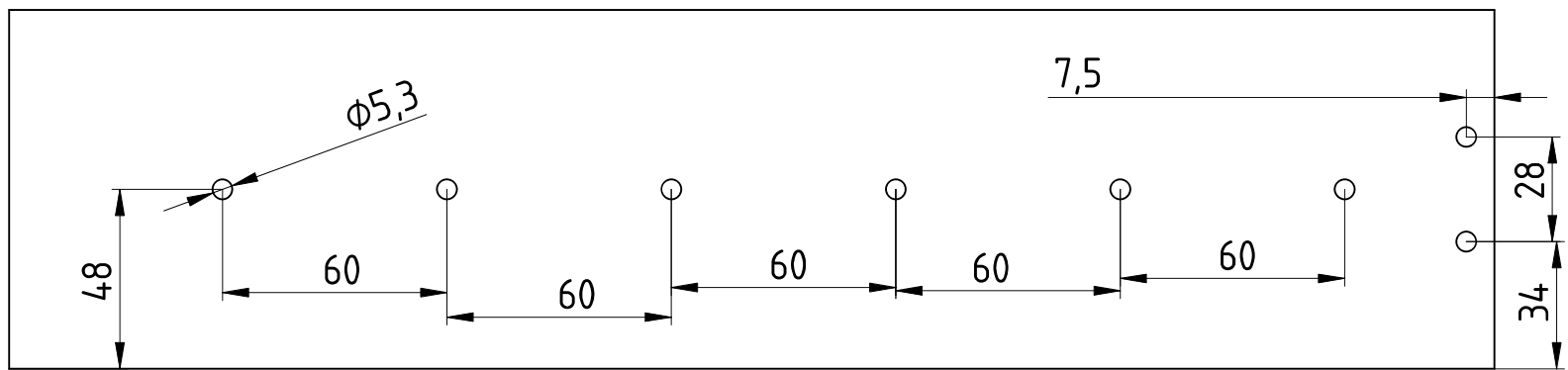
E



D

C

B

A



DESIGNED BY: A.Bousquet		U du balancier		G	-
DATE: 02/2024		Balance Openbeelab V5		F	-
SIZE A4	Précision : ± 0.2 mm	 		E	-
SCALE 0.5	WEIGHT (kg) 0.422			D	-
DRAWING NUMBER		SHEET		C	-
Drawing number		Acier		B	-
This drawing is our property; it can't be reproduced or communicated without our written consent.				A	-

F

E

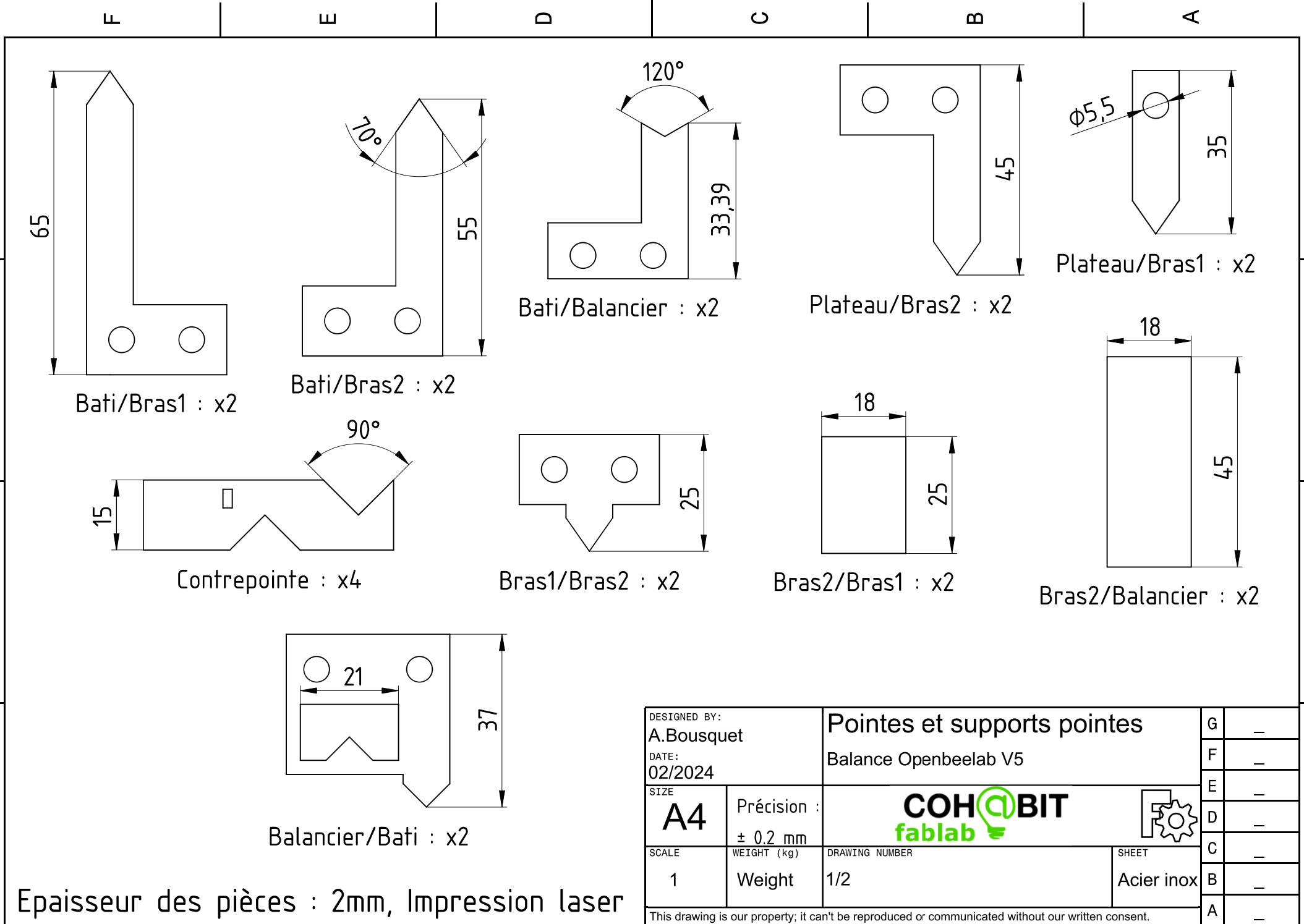
D

4

3

2

1



Epaisseur des pièces : 2mm, Impression laser

DESIGNED BY: A.Bousquet		Pointes et supports pointes		G	-
DATE: 02/2024		Balance Openbeelab V5		F	-
SIZE A4	Précision : ± 0.2 mm			E	-
SCALE 1	WEIGHT (kg) Weight			DRAWING NUMBER 1/2	SHEET Acier inox
This drawing is our property; it can't be reproduced or communicated without our written consent.				C	-
				B	-
				A	-

F

E

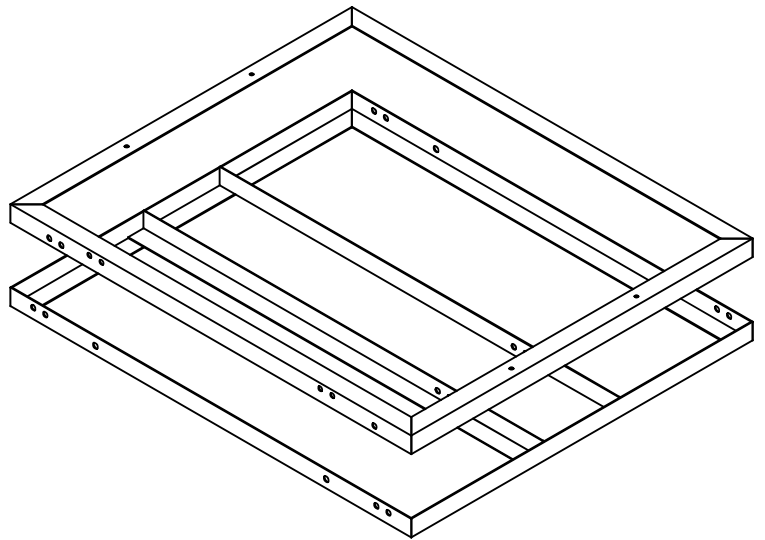
D

C

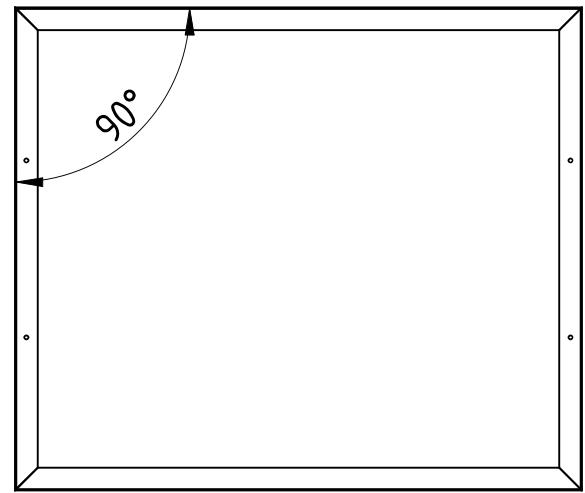
B

A

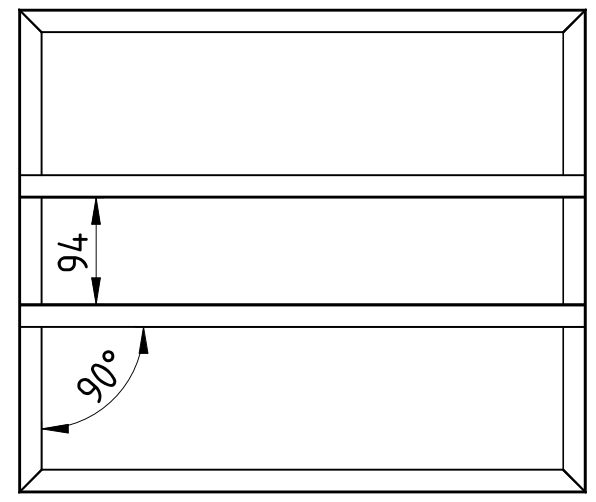
Les 4 profilés du plateau et du bati sont soudés



Bâti Plateau ISO



Plateau dessus



Bâti dessus

DESIGNED BY: A.Bousquet		Cadre Plateau		G	—
DATE: 02/2024		Balance Openbeelab V5		F	—
SIZE A4				E	—
SCALE	WEIGHT (kg)	DRAWING NUMBER		D	—
				C	—
				B	—
This drawing is our property; it can't be reproduced or communicated without our written consent.				A	—

F

E

D

4

3

2

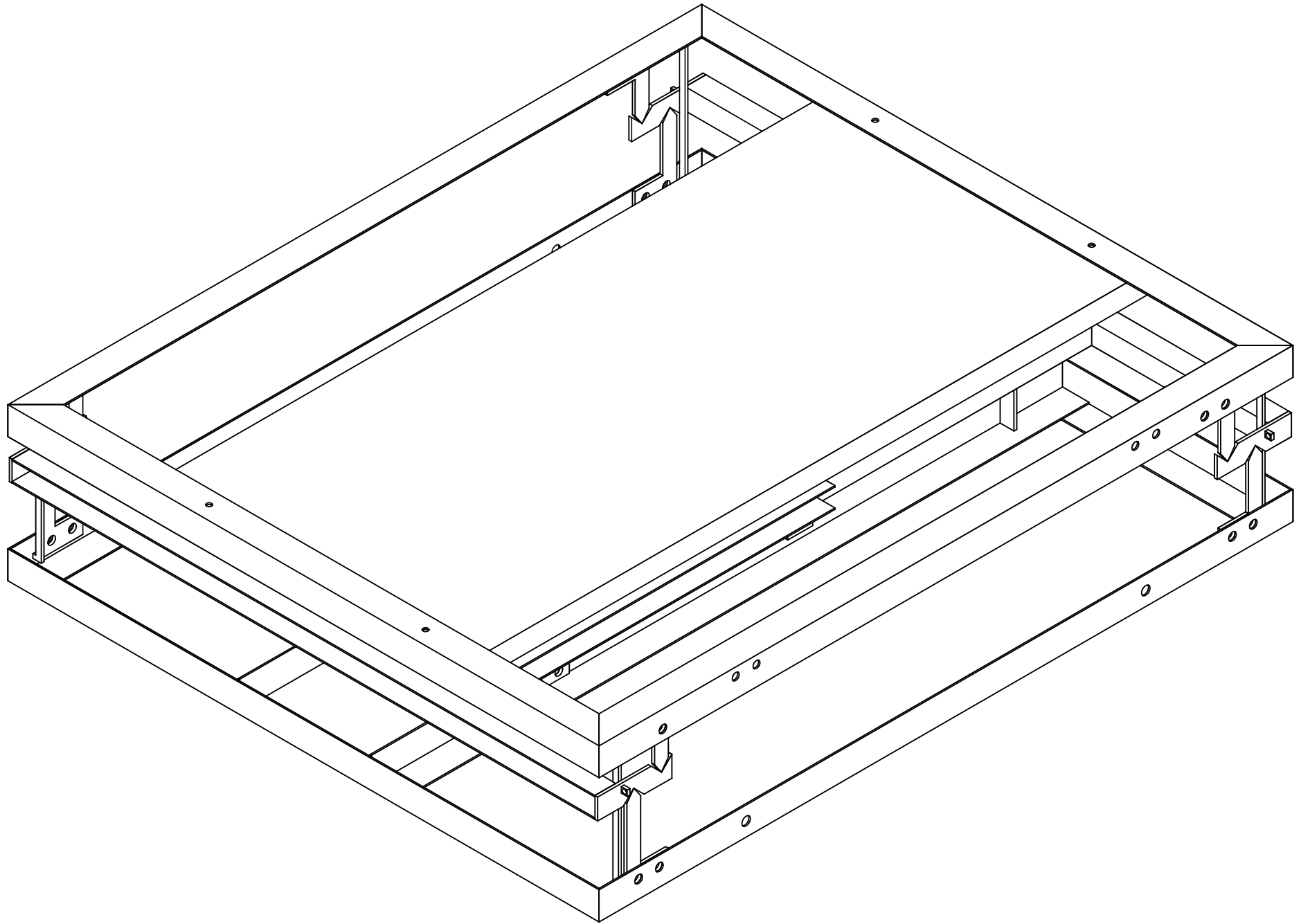
1

4

3

2

1



Balance ISO

F

E

D

C

B

A

4

4

3

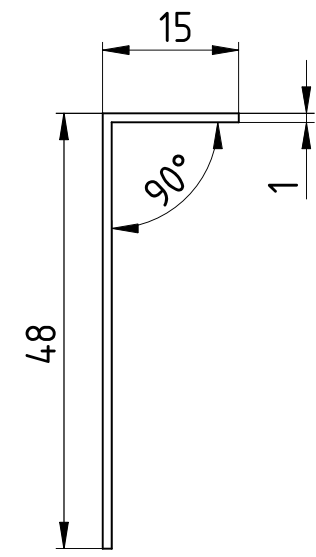
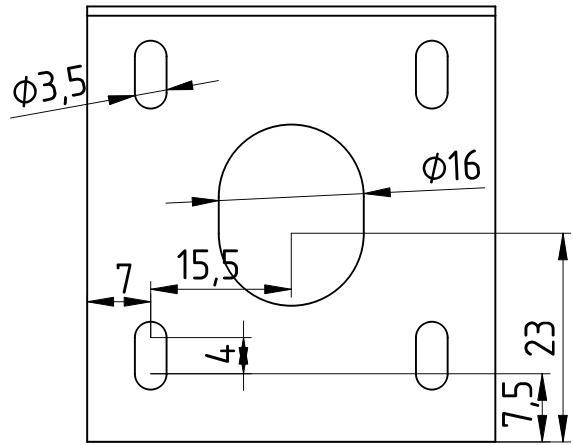
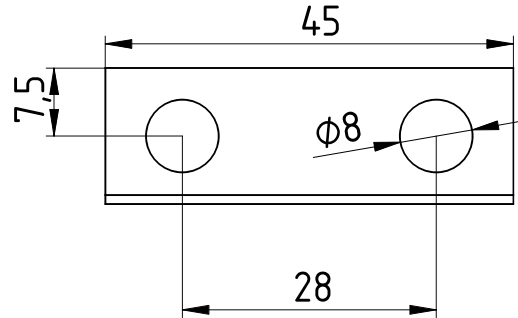
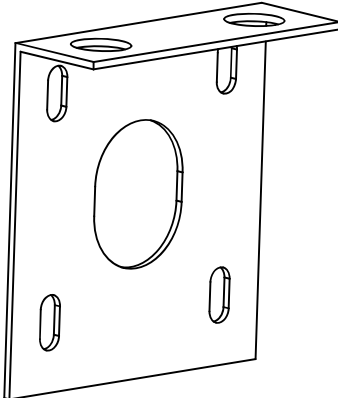
3


2

2

1

1

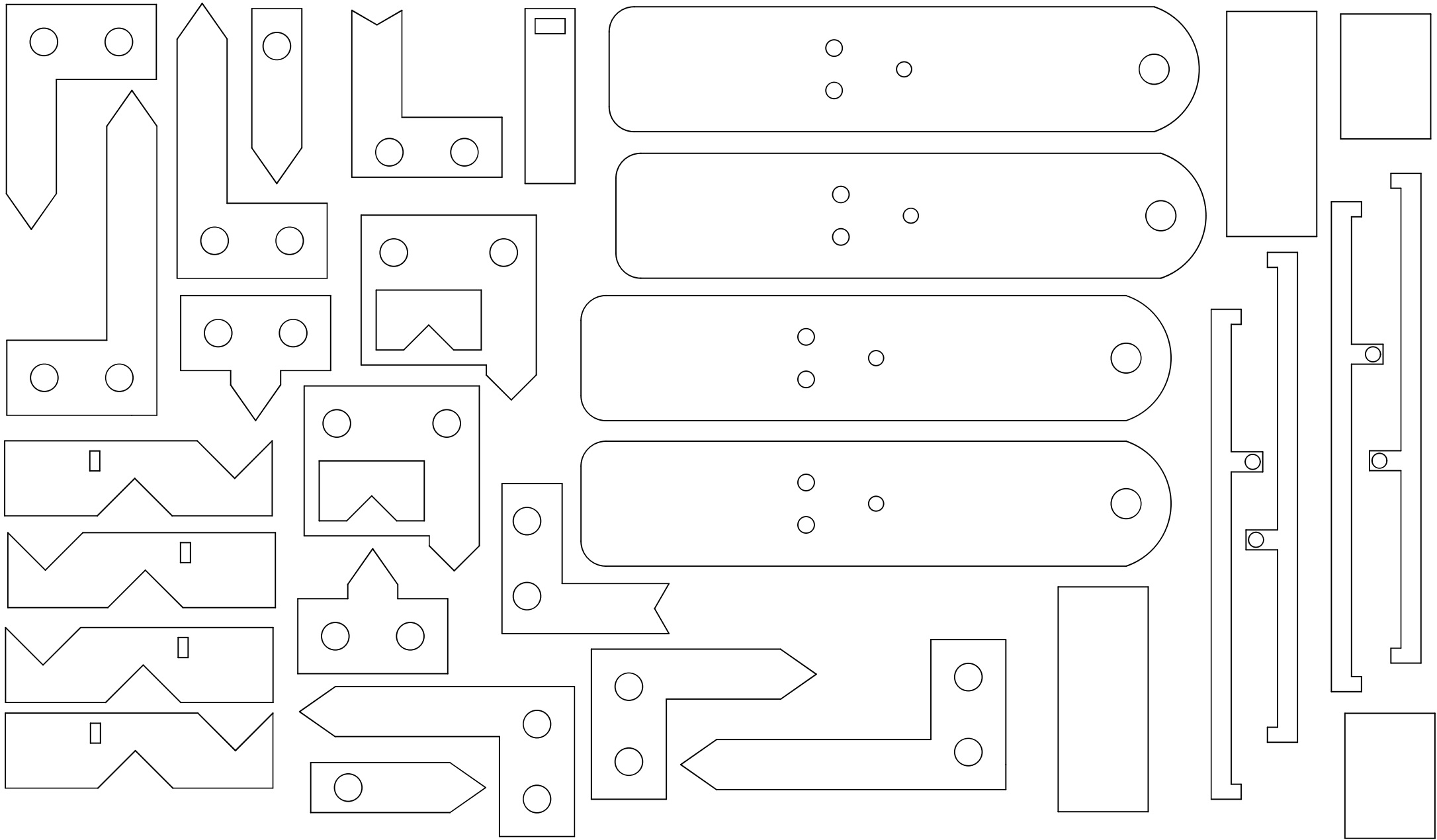


DESIGNED BY: A.Bousquet		Equerre support moteur		G	-
DATE: 02/2024		Balance Openbeelab V5		F	-
SIZE A4	Précision : 0.2 mm			E	-
SCALE 1.2	WEIGHT (kg) 0.02			D	-
		DRAWING NUMBER	SHEET	C	-
		Acier		B	-
This drawing is our property; it can't be reproduced or communicated without our written consent.				A	-

F

E

D

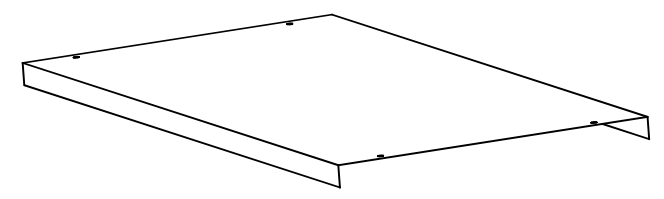


F E D C B A

498

15

226



Tôle pliée entre 1 et 0.3 mm d'épaisseur

DESIGNED BY: A.Bousquet		Carter de protection Balance Openbeelab V5		G	—
DATE: 02/2024				F	—
SIZE	A4	DRAWING NUMBER		E	—
SCALE				Scale	D
WEIGHT (kg)	DRAWING NUMBER		C	—	
SHEET			Acier Inox	B	—
This drawing is our property; it can't be reproduced or communicated without our written consent.				A	—



F E D

4
3
2
1

4
3
2
1