

Nom du document: openbeelab_5

Page / Profile_L_petit_cote

Page001 / Profile_L_grand_cote_bati_x2

Page002 / Barrière_plaque_transport

Page004 / Profile_U_bras1

Page005 / Profile_Ubras2

Page006 / Profile_U_balancier_plan

Page007 / Pointes

Page008 / Plateau_cadre

Page009 / Balance iso

Page010 / Equerre_support_moteur

Page011 / Pointes et contrepontes

Page012 / Carter_protection

F

E

D

C

B

A

4

4

390

45°

20

20

430

Petit coté Bâti x2

3

3

156

137

Ø3,5

Ø3,5

15°

20

20

390

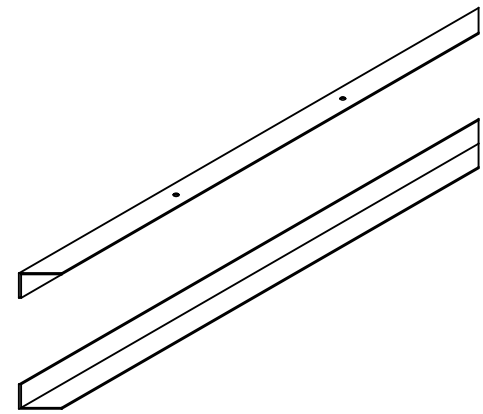
430


2

2

1

1



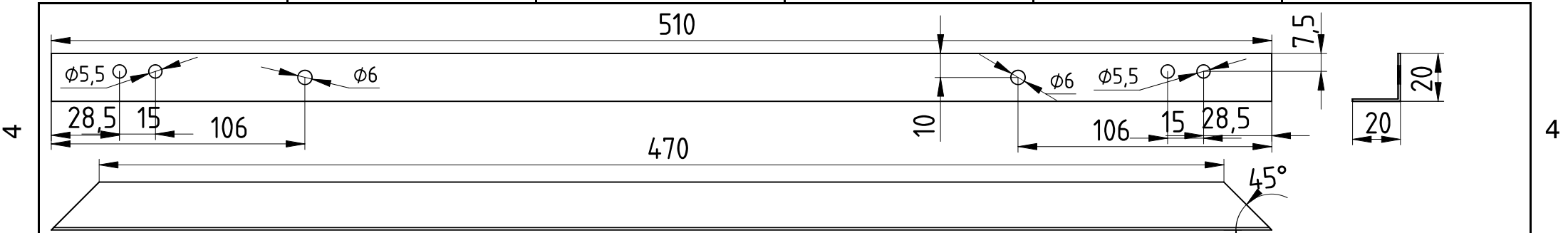
| | | | | | |
|---|-------------------------|---|--|---|---|
| DESIGNED BY: A.Bousquet | | Petit coté Plateau et bati | | G | — |
| DATE: 02/2024 | | Balance Openbeelab V5 | | F | — |
| SIZE A4 | Précision : ± 0.2 mm |  | | E | — |
| SCALE 0.6 | WEIGHT (kg) 0.085 | | | D | — |
| DRAWING NUMBER 1 | | SHEET Acier | | C | — |
| This drawing is our property; it can't be reproduced or communicated without our written consent. | | | | B | — |
| | | | | A | — |

F

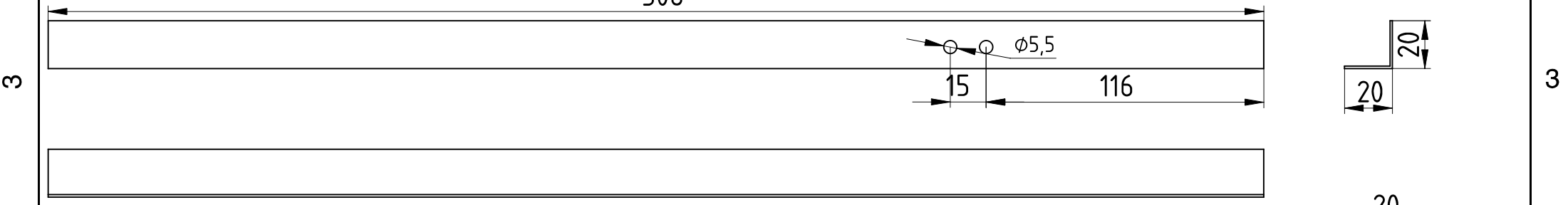
E

D

F E D C B A



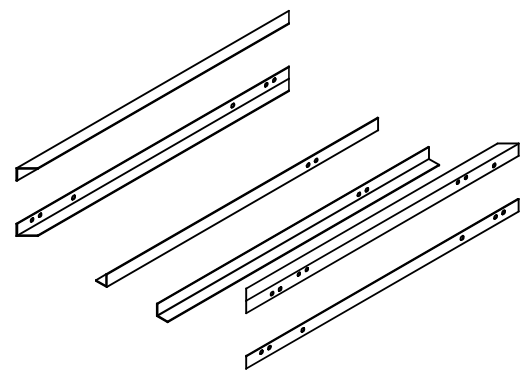
Grand coté Bâti x2
508



Support Bati Balancier

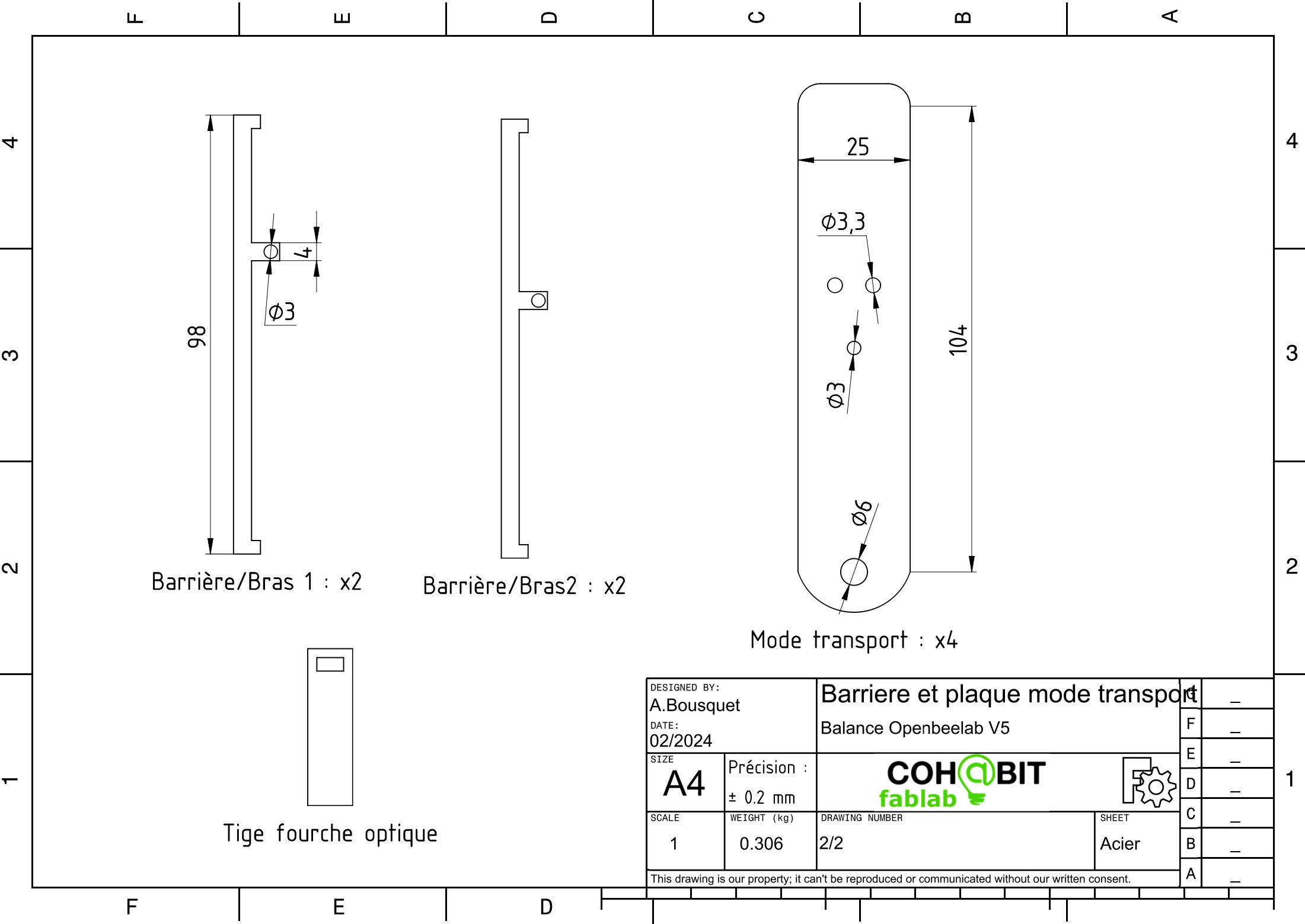


Grand coté Plateau x2



| | | | | | |
|---|-----------------------------|----------------------------|--|---|---|
| DESIGNED BY: A.Bousquet | | Grand coté bati et plateau | | G | - |
| DATE: 02/2024 | | Balance Openbeelab V5 | | F | - |
| SIZE A4 | Précision : ± 0.2 mm | | | E | - |
| SCALE 0.5 | WEIGHT (kg) 0.200 | | | D | - |
| DRAWING NUMBER 1 | | SHEET Acier | | C | - |
| This drawing is our property; it can't be reproduced or communicated without our written consent. | | | | B | - |
| | | | | A | - |

F E D C B A





Barrière/Bras 1 : x2

Barrière/Bras2 : x2

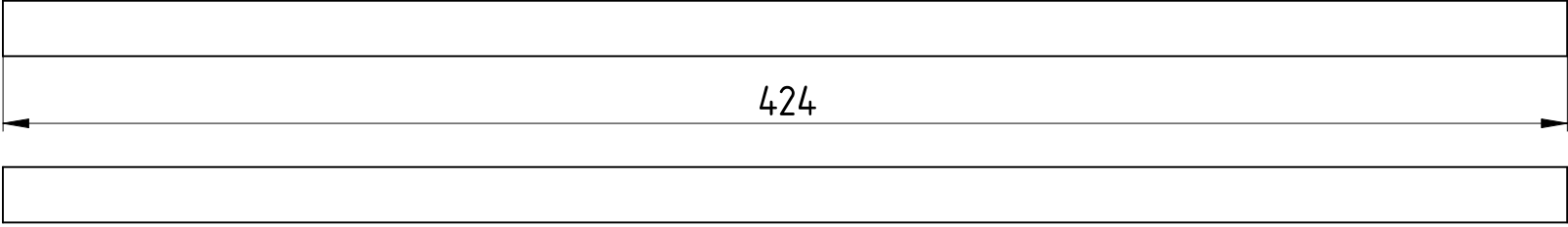
Mode transport : x4

Tige fourche optique

| | | | | | |
|---|-------------------------|---|--|-----------------------|---|
| DESIGNED BY: A.Bousquet | | Barriere et plaque mode transport | | F | - |
| DATE: 02/2024 | | Balance Openbeelab V5 | | E | - |
| SIZE A4 | Précision : ± 0.2 mm |   | | D | - |
| SCALE 1 | WEIGHT (kg) 0.306 | | | DRAWING NUMBER 2/2 | C |
| | | SHEET Acier | | B | - |
| This drawing is our property; it can't be reproduced or communicated without our written consent. | | | | A | - |

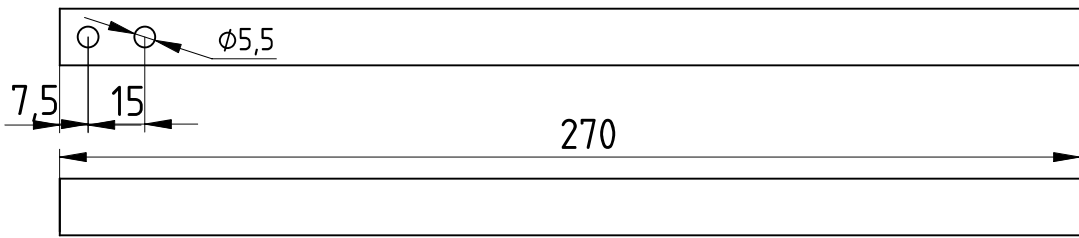
F E D C B A

4

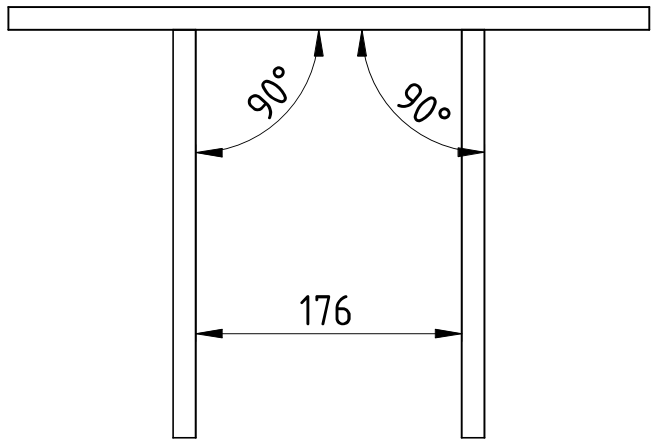
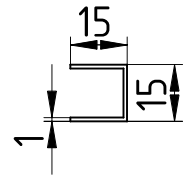


Base du bras : x1

3

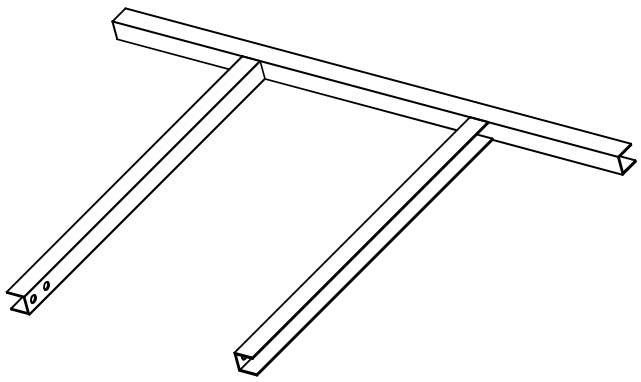


Petit U : x2



Bras dessus

2



1

F E D

| | | | | | |
|---|-------------------------|--------------------------|--|---|---|
| DESIGNED BY: A.Bousquet | | Profilé U pour le Bras 1 | | G | - |
| DATE: 02/2024 | | Balance Openbeelab V5 | | F | - |
| SIZE A4 | Précision : ± 0.2 mm | | | E | - |
| SCALE 0.5 | WEIGHT (kg) 0.397 | | | D | - |
| DRAWING NUMBER 1 | | SHEET Acier | | C | - |
| This drawing is our property; it can't be reproduced or communicated without our written consent. | | | | B | - |
| | | | | A | - |

4

3

2

1

F

E

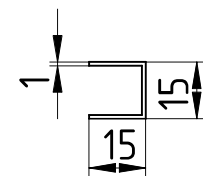
D

C

B

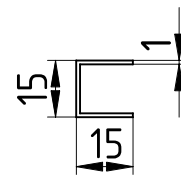
A

424

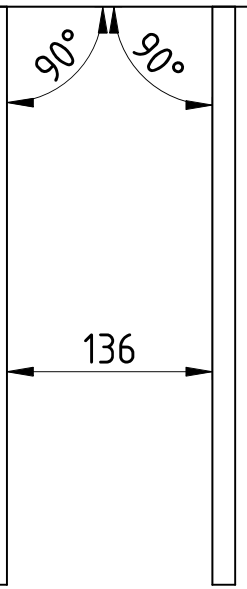


Base du bras 2 : x1

382,5



Petit U bras 2 : x2



136

| | | | | | |
|---|-------------------------|-----------------------|--|---|---|
| DESIGNED BY: A.Bousquet | | Profilé U pour bras 2 | | G | - |
| DATE: 02/2024 | | Balance Openbeelab V5 | | F | - |
| SIZE A4 | Précision : ± 0.2 mm | | | E | - |
| SCALE 0.5 | WEIGHT (kg) 0.490 | | | D | - |
| DRAWING NUMBER 1 | | SHEET Acier | | C | - |
| This drawing is our property; it can't be reproduced or communicated without our written consent. | | | | B | - |
| | | | | A | - |

F

E

D

4

3

2

1

F

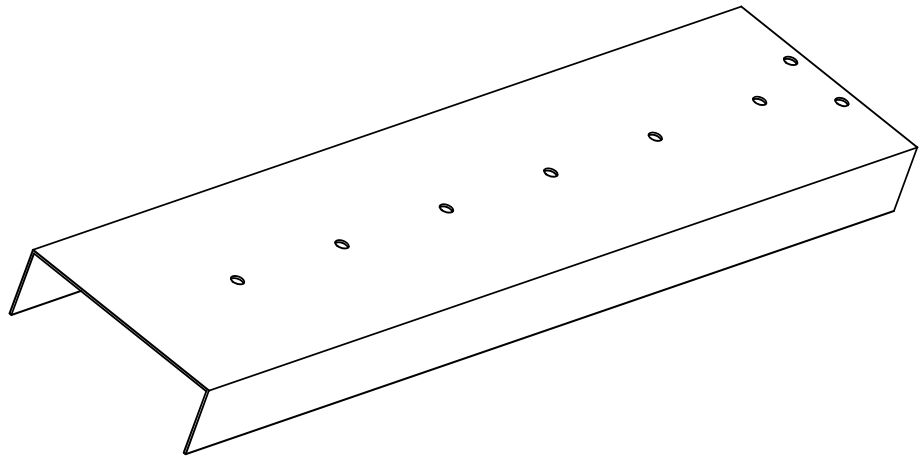
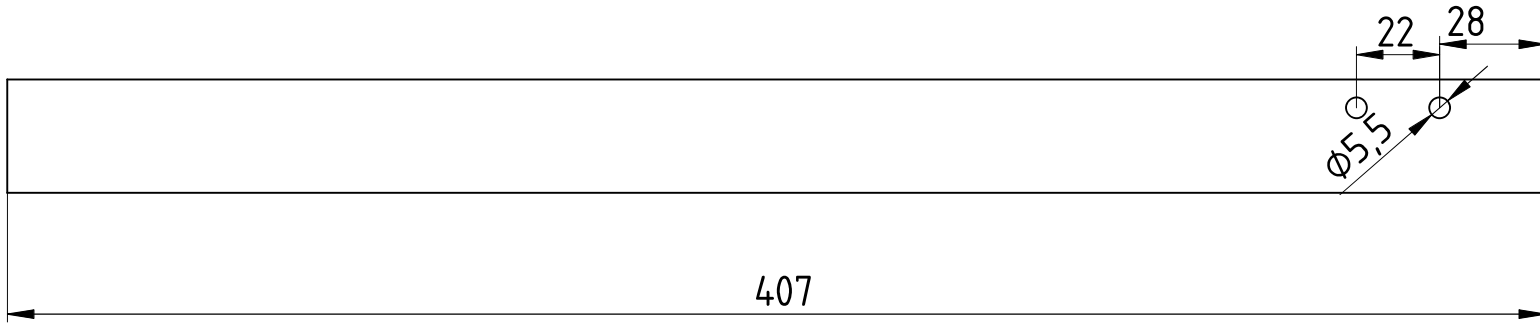
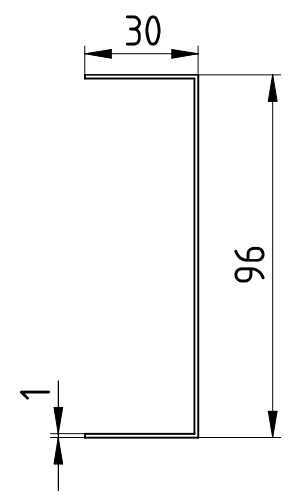
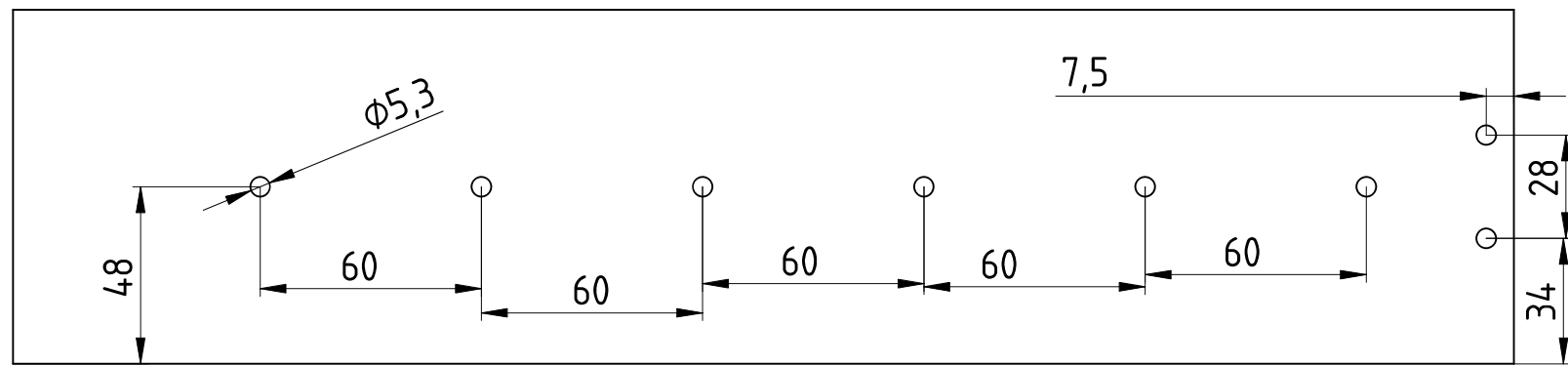
E



D

C

B

A



| | | | | | |
|---|-----------------------------|---|--|---|---|
| DESIGNED BY: A.Bousquet | | U du balancier | | G | - |
| DATE: 02/2024 | | Balance Openbeelab V5 | | F | - |
| SIZE A4 | Précision : ± 0.2 mm |   | | E | - |
| SCALE 0.5 | WEIGHT (kg) 0.422 | | | D | - |
| DRAWING NUMBER | | SHEET | | C | - |
| Drawing number | | Acier | | B | - |
| This drawing is our property; it can't be reproduced or communicated without our written consent. | | | | A | - |

F

E

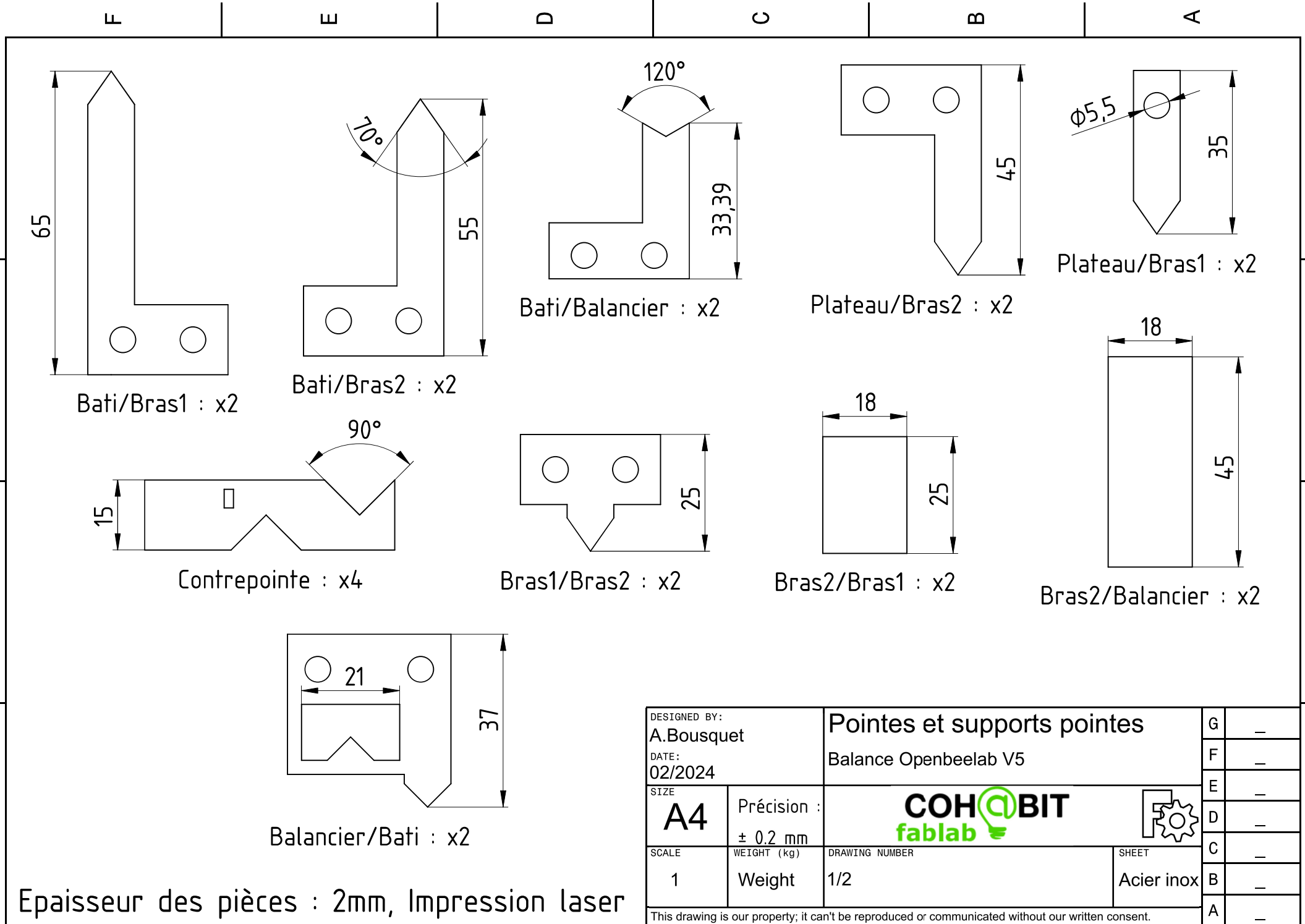
D

4



3

2

1



Epaisseur des pièces : 2mm, Impression laser

| | | | | | |
|---|-------------------------|---|--|-----------------------|---------------------|
| DESIGNED BY: A.Bousquet | | Pointes et supports pointes | | G | - |
| DATE: 02/2024 | | Balance Openbeelab V5 | | F | - |
| SIZE A4 | Précision : ± 0.2 mm |   | | E | - |
| SCALE 1 | WEIGHT (kg) Weight | | | DRAWING NUMBER 1/2 | SHEET Acier inox |
| This drawing is our property; it can't be reproduced or communicated without our written consent. | | | | C | - |
| | | | | B | - |
| | | | | A | - |

F

E

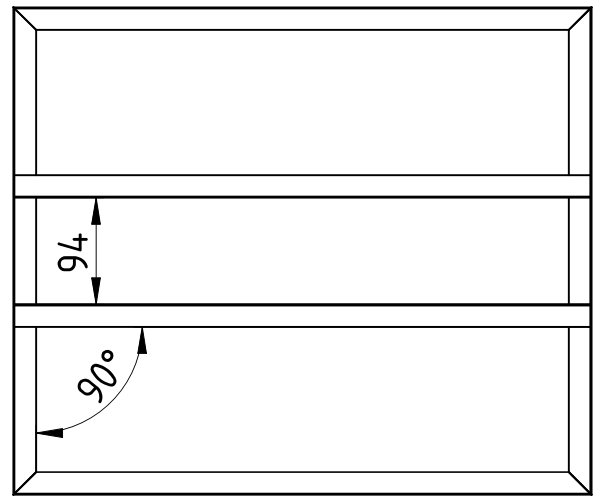
D

C

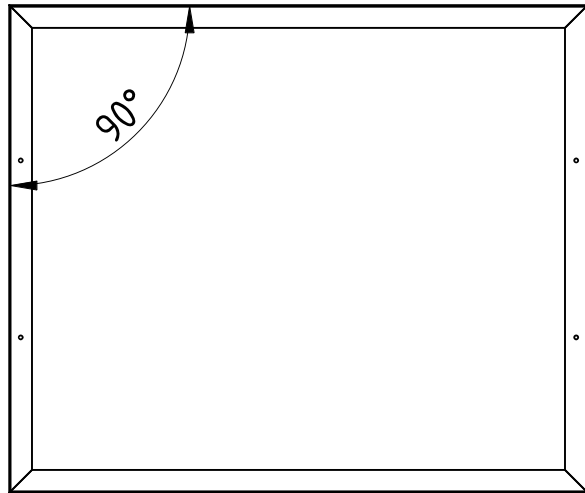
B

A

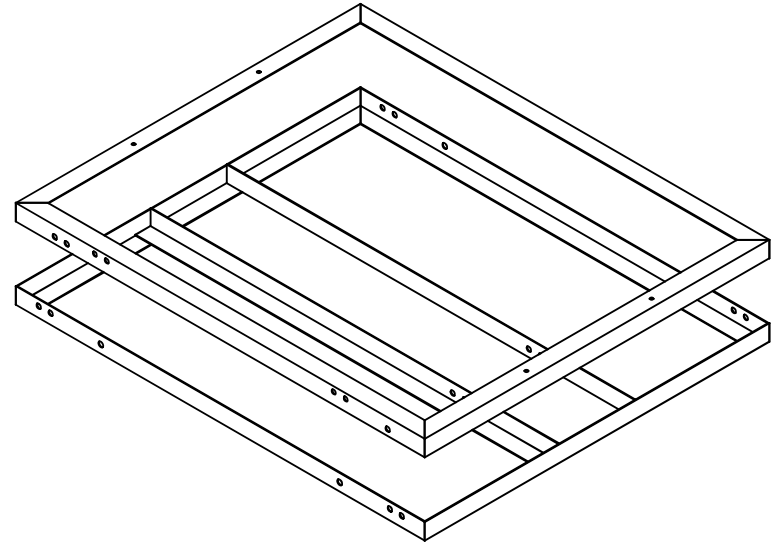
Les 4 profilés du plateau et du bati sont soudés



Bâti dessus



Plateau dessus



Bâti Plateau ISO

| | | | | | |
|---|-------------|-----------------------|-------|---|---|
| DESIGNED BY: A.Bousquet | | Cadre Plateau | | G | — |
| DATE: 02/2024 | | Balance Openbeelab V5 | | F | — |
| SIZE A4 | | | | E | — |
| | | | | D | — |
| SCALE | WEIGHT (kg) | DRAWING NUMBER | SHEET | C | — |
| | | | | B | — |
| This drawing is our property; it can't be reproduced or communicated without our written consent. | | | | A | — |

F

E

D

4

3

2

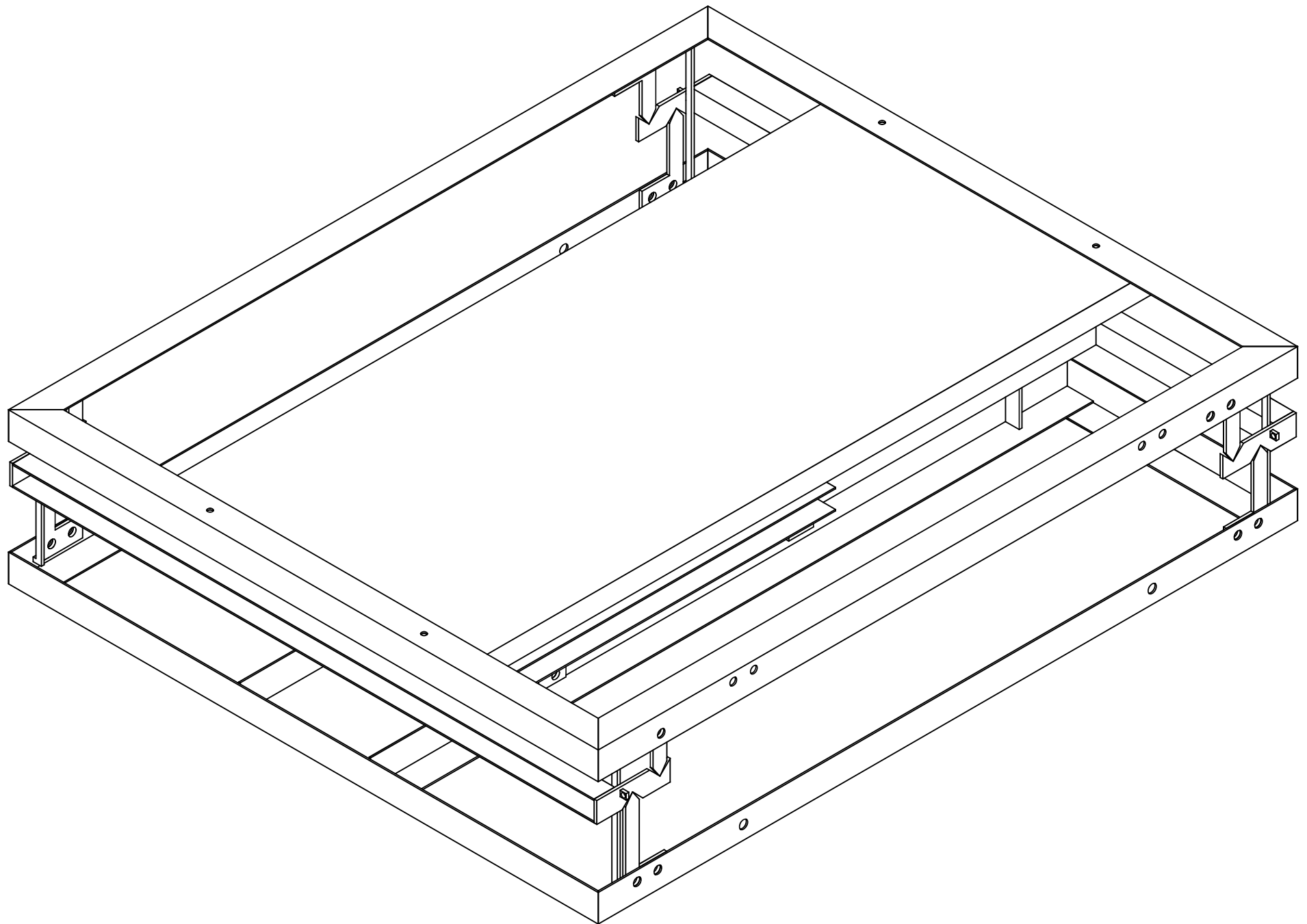
1

4

3

2

1



Balance ISO

F

E

D

C

B

A

4

4

3

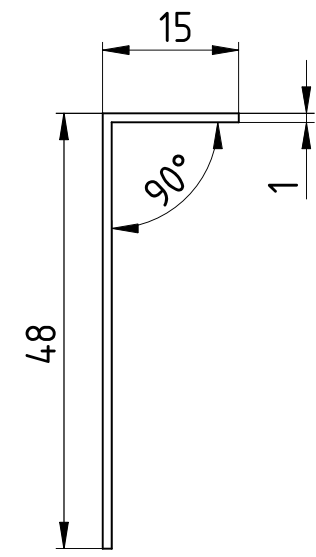
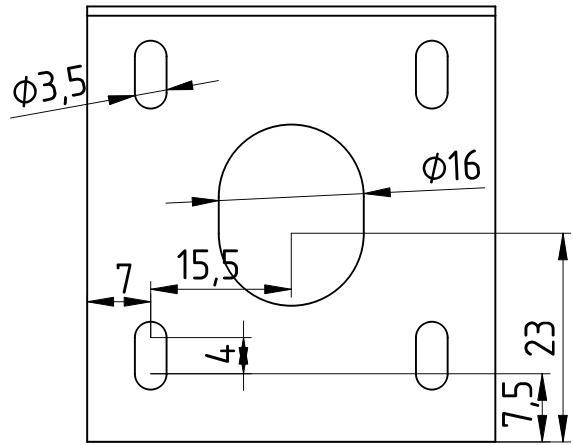
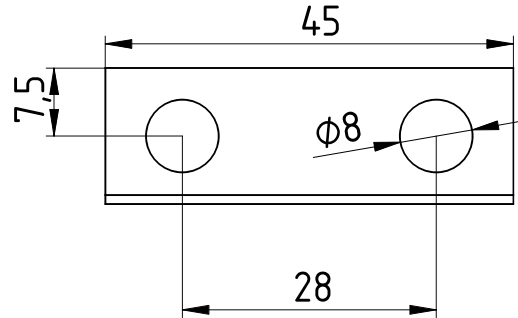
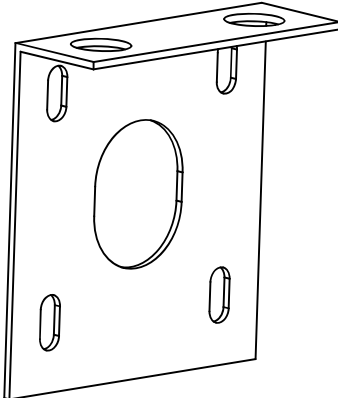
3



2

2

1

1

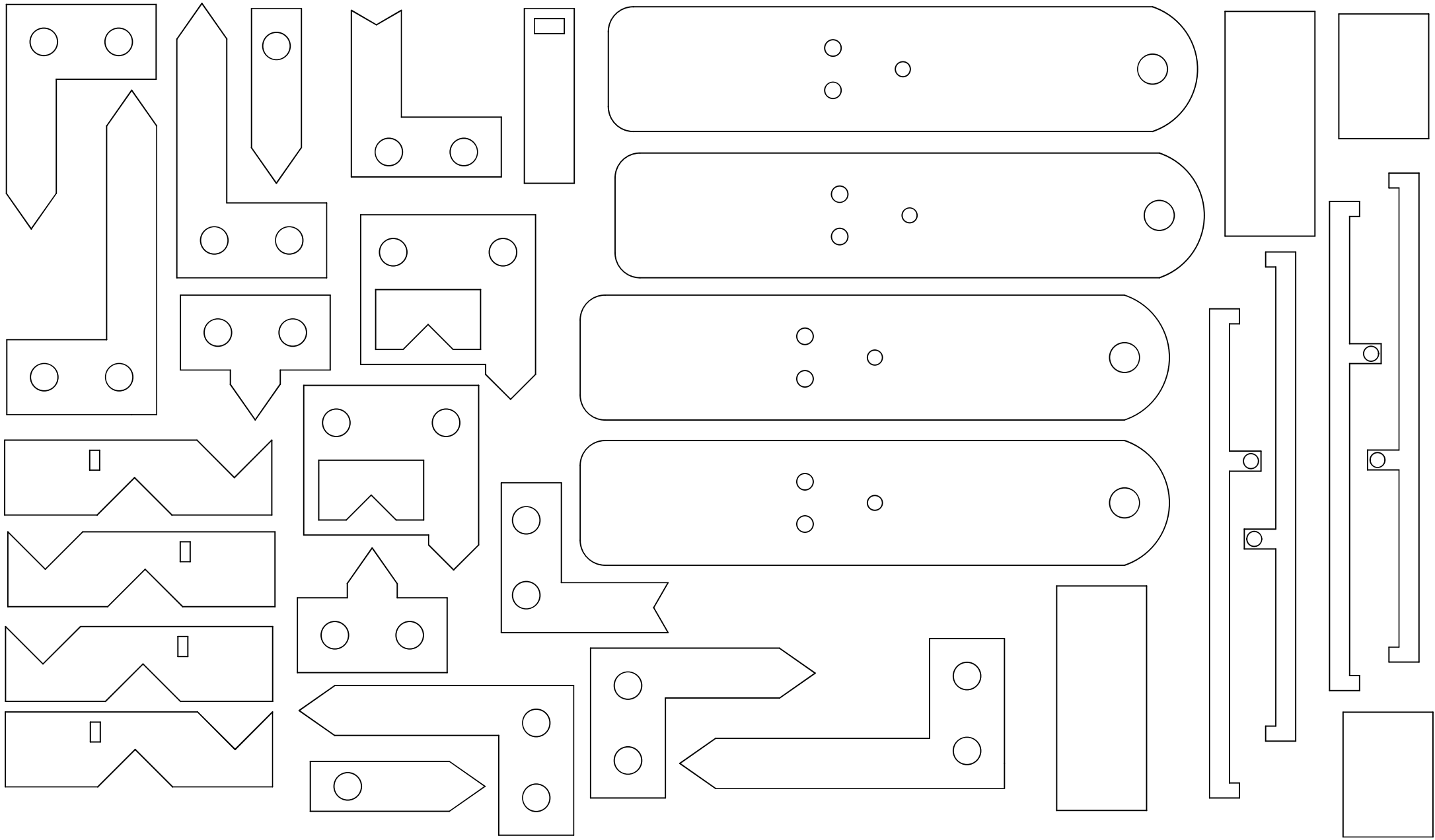


| | | | | | |
|---|-----------------------|---|--|---|---|
| DESIGNED BY: A.Bousquet | | Equerre support moteur | | G | - |
| DATE: 02/2024 | | Balance Openbeelab V5 | | F | - |
| SIZE A4 | Précision : 0.2 mm |   | | E | - |
| SCALE 1.2 | WEIGHT (kg) 0.02 | | | D | - |
| DRAWING NUMBER | | SHEET | | C | - |
| | | Acier | | B | - |
| This drawing is our property; it can't be reproduced or communicated without our written consent. | | | | A | - |

F

E

D



F

E

D

C

B

A

508

15

226

4

3

2

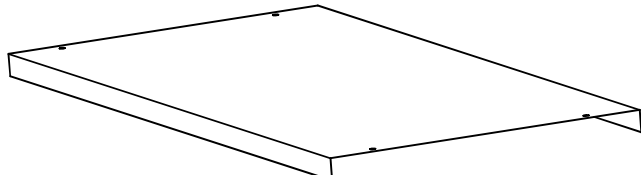
1

4

3

2

1



Tôle pliée entre 1 et 0.3 mm d'épaisseur

| | | | | | |
|---|-------------|-----------------------|---------------------|---|---|
| DESIGNED BY: A.Bousquet | | Carter de protection | | G | — |
| DATE: 02/2024 | | Balance Openbeelab V5 | | F | — |
| SIZE A4 | | | | E | — |
| | | | | D | — |
| SCALE Scale | WEIGHT (kg) | DRAWING NUMBER | SHEET Acier Inox | C | — |
| This drawing is our property; it can't be reproduced or communicated without our written consent. | | | | B | — |
| | | | | A | — |



F

E

D