

Nom du document: openbeelab_5

Page / Profile_L_petit_cote

Page001 / Profile_L_grand_cote_bati_x2

Page002 / Barrière_plaque_transport

Page004 / Profile_U_bras1

Page005 / Profile_Ubras2

Page006 / Profile_U_balancier_plan

Page007 / Pointes

Page008 / Plateau_cadre

Page009 / Balance iso

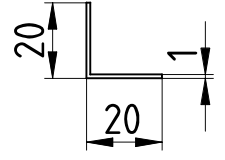
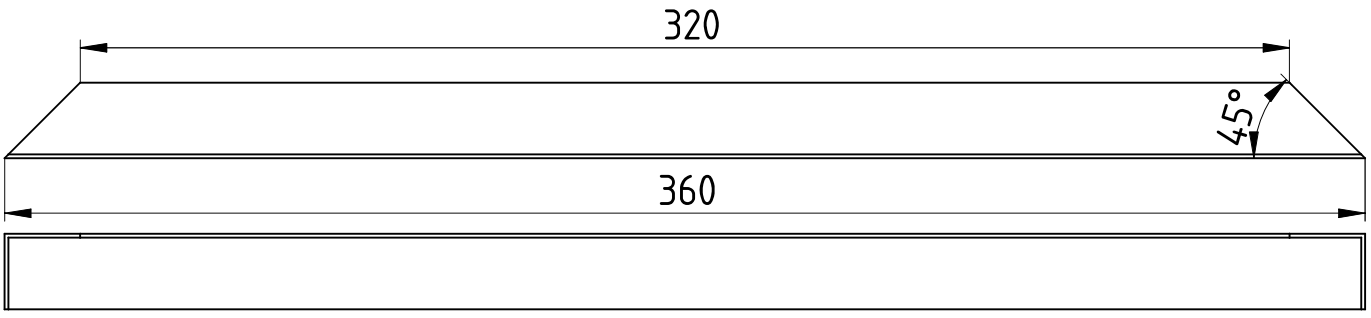
Page010 / Equerre_support_moteur

Page011 / Pointes et contrepontes

Page012 / Carter_protection

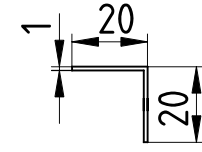
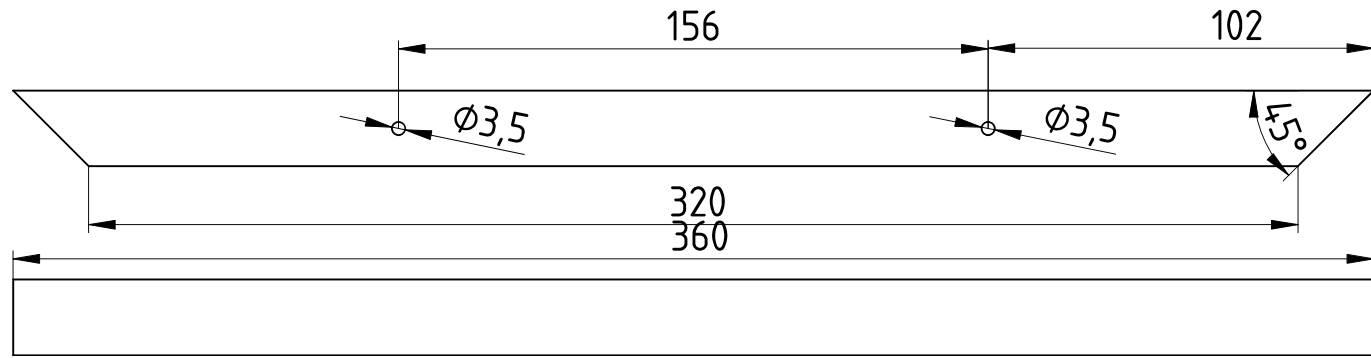
F E D C B A

4

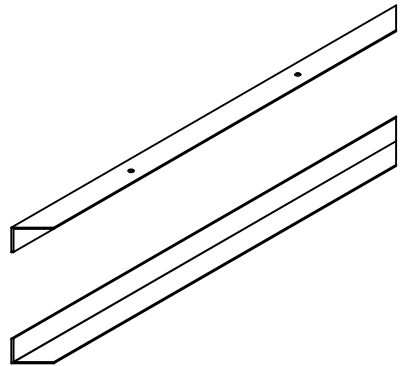


Petit coté Bâti x2



3



2



1

DESIGNED BY: A.Bousquet		Petit coté Plateau et bati		G	—
DATE: 02/2024		Balance Openbeelab V5		F	—
SIZE A4	Précision : ± 0.2 mm	 		E	—
SCALE 0.6	WEIGHT (kg) 0.085			D	—
DRAWING NUMBER 1		SHEET Acier		C	—
This drawing is our property; it can't be reproduced or communicated without our written consent.				B	—
				A	—

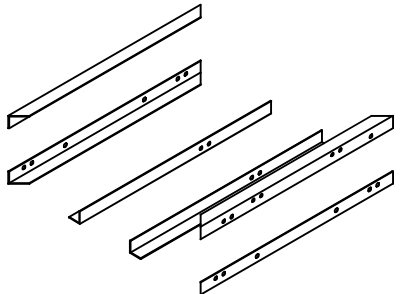
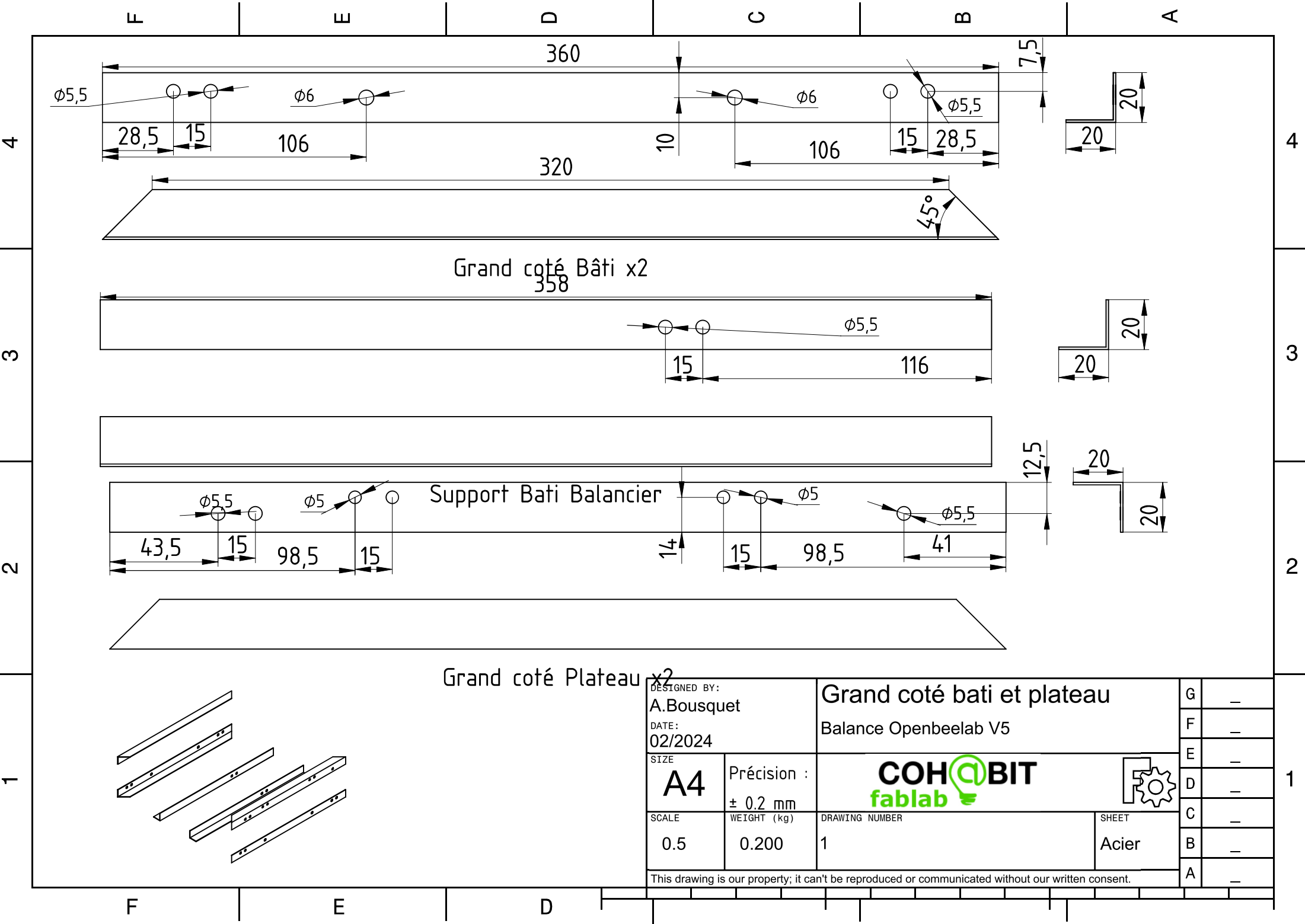
F E D

4

3

2

1



DESIGNED BY: A.Bousquet		Grand coté bati et plateau		G	-
DATE: 02/2024		Balance Openbeelab V5		F	-
SIZE A4	Précision : ± 0.2 mm			E	-
SCALE 0.5	WEIGHT (kg) 0.200			D	-
DRAWING NUMBER 1		SHEET Acier		C	-
This drawing is our property; it can't be reproduced or communicated without our written consent.				B	-
				A	-

F

E

D

C

B

A

4

3

2

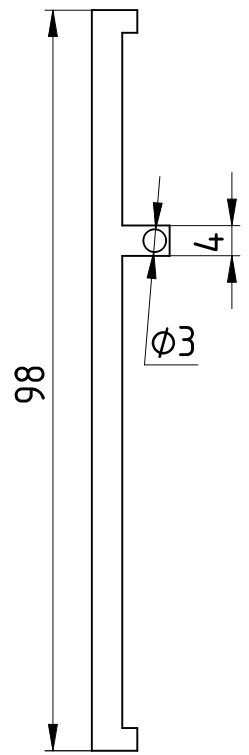
1

4

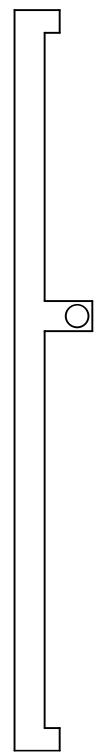
3

2

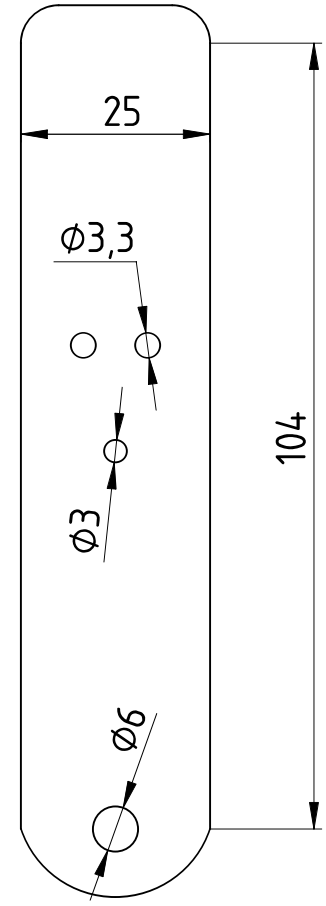
1



Barrière/Bras 1 : x2



Barrière/Bras2 : x2



Mode transport : x4



Tige fourche optique

DESIGNED BY: A.Bousquet		Barriere et plaque mode transport		
DATE: 02/2024		Balance Openbeelab V5		F
SIZE A4	Précision : $\pm 0.2 \text{ mm}$			E
SCALE 1	WEIGHT (kg) 0.306			D
DRAWING NUMBER 2/2		SHEET Acier		C
This drawing is our property; it can't be reproduced or communicated without our written consent.				B
				A

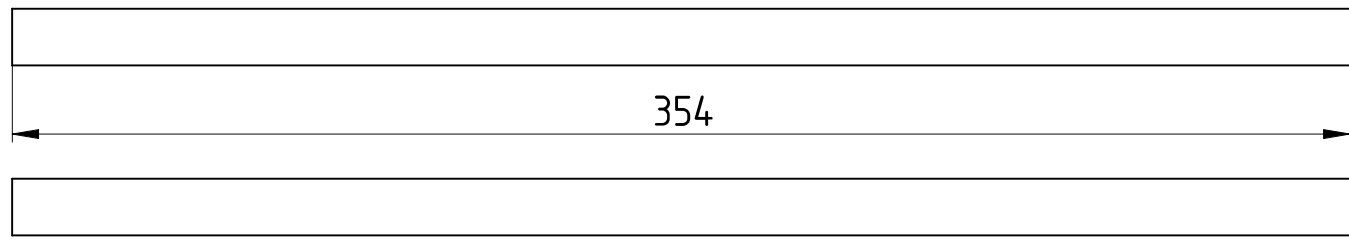
F

E

D

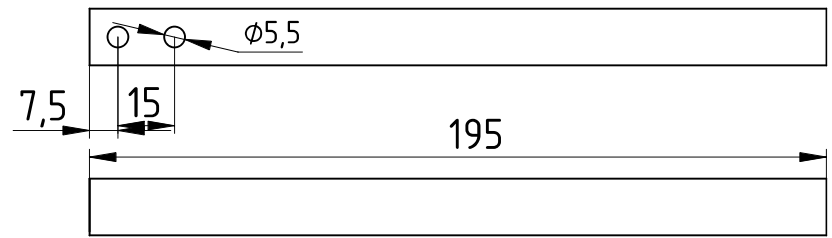
F E D C B A

4

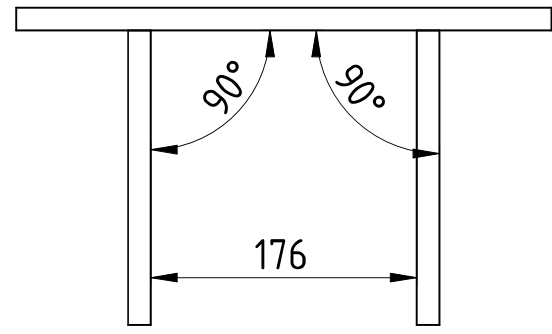
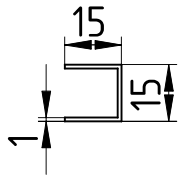


Base du bras : x1

3

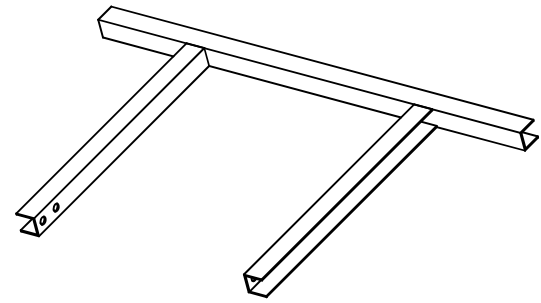


Petit U : x2





Bras dessus

2



1

F E D

DESIGNED BY: A.Bousquet		Profilé U pour le Bras 1		G	-
DATE: 02/2024		Balance Openbeelab V5		F	-
SIZE A4	Précision : ± 0.2 mm	 		E	-
SCALE 0.5	WEIGHT (kg) 0.397			D	-
DRAWING NUMBER 1		SHEET Acier		C	-
This drawing is our property; it can't be reproduced or communicated without our written consent.				B	-
				A	-

4

3

2

1

F

E

D

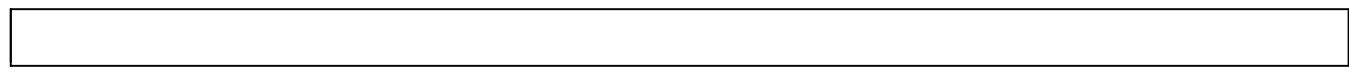
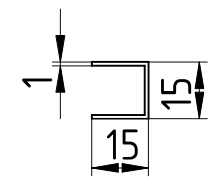
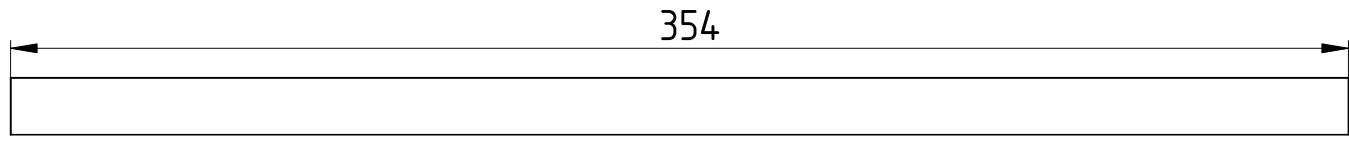
C

B

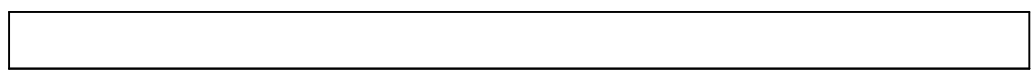
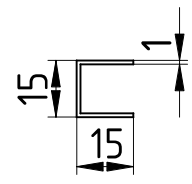
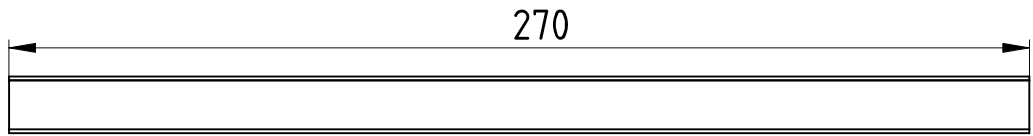
A

4

4



Base du bras 2 : x1



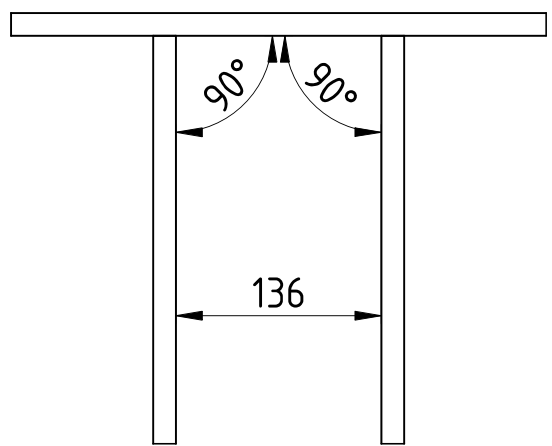
Petit U bras 2 : x2

3

3

2

2



1

1

DESIGNED BY: A.Bousquet		Profilé U pour bras 2		G	-
DATE: 02/2024		Balance Openbeelab V5		F	-
SIZE A4	Précision : ± 0.2 mm			E	-
SCALE 0.5	WEIGHT (kg) 0.490			D	-
DRAWING NUMBER 1		SHEET Acier		C	-
This drawing is our property; it can't be reproduced or communicated without our written consent.				B	-
				A	-

F

E

D

F E D C B A

4

3

2

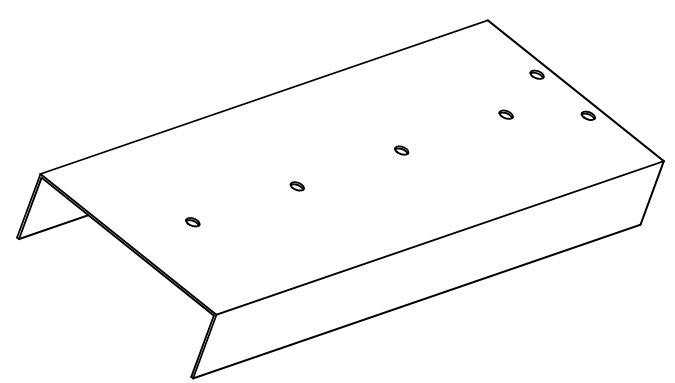
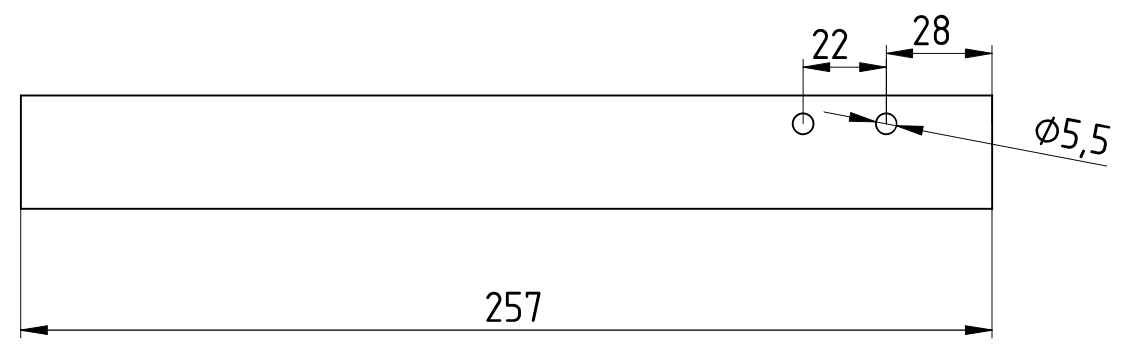
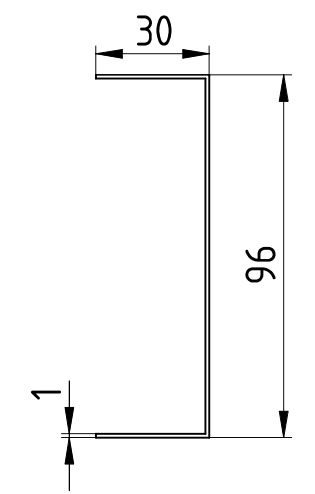
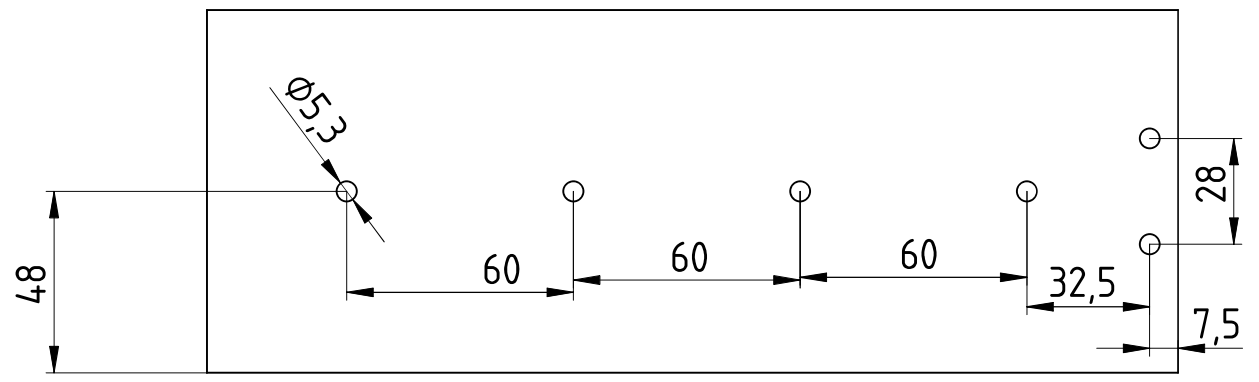
1


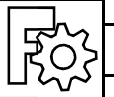
4

3

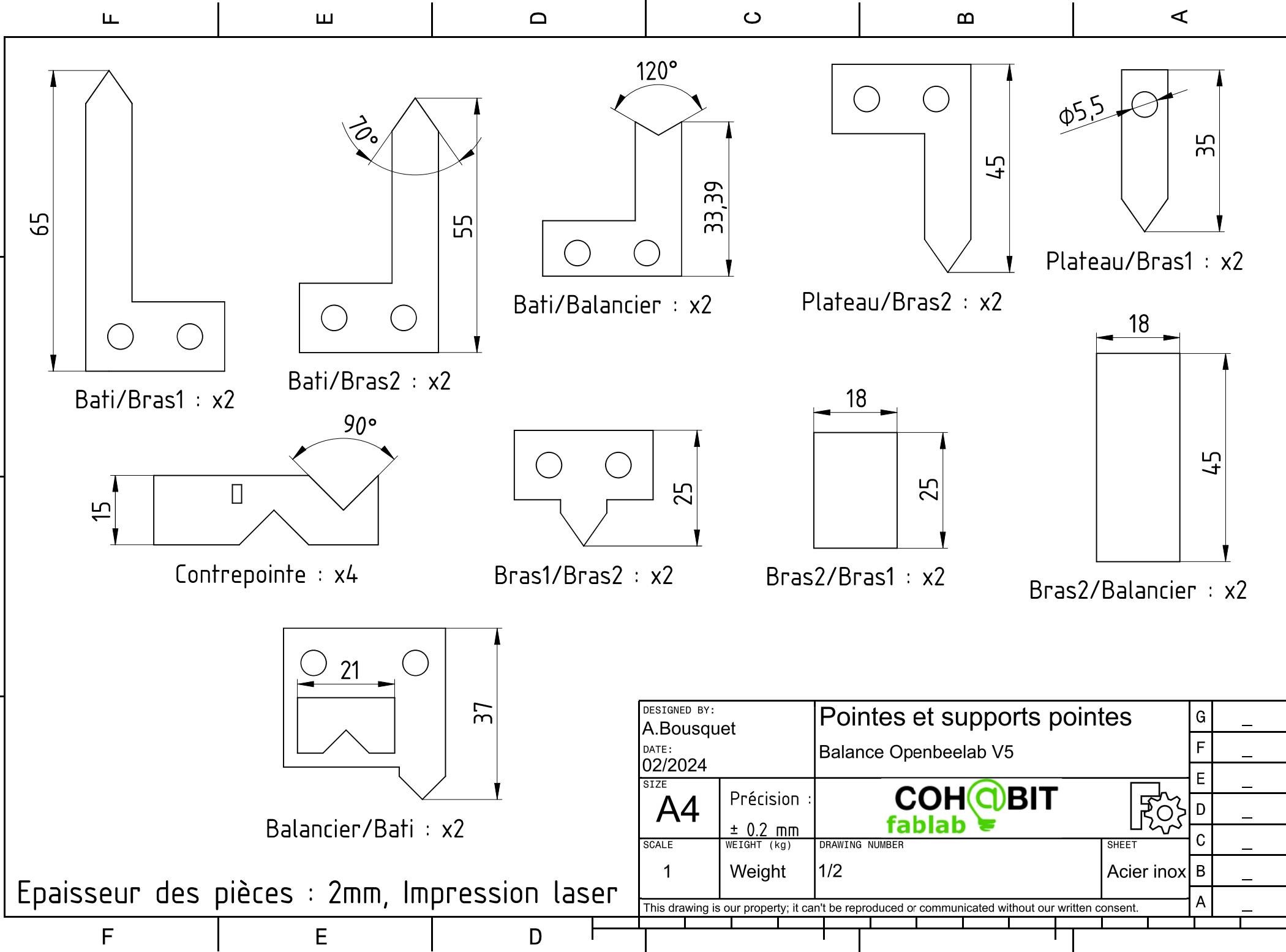
2



1



DESIGNED BY: A.Bousquet		U du balancier		G	-
DATE: 02/2024		Balance Openbeelab V5		F	-
SIZE A4	Précision : $\pm 0.2 \text{ mm}$	 		E	-
SCALE 0.5	WEIGHT (kg) 0.422			D	-
DRAWING NUMBER		SHEET		C	-
Drawing number		Acier		B	-
This drawing is our property; it can't be reproduced or communicated without our written consent.				A	-

F E D



DESIGNED BY: A.Bousquet		Pointes et supports pointes		G	-
DATE: 02/2024		Balance Openbeelab V5		F	-
SIZE A4	Précision : ± 0.2 mm	 		E	-
SCALE 1	WEIGHT (kg) Weight			DRAWING NUMBER 1/2	SHEET Acier inox
This drawing is our property; it can't be reproduced or communicated without our written consent.				C	-
				B	-
				A	-

F

E

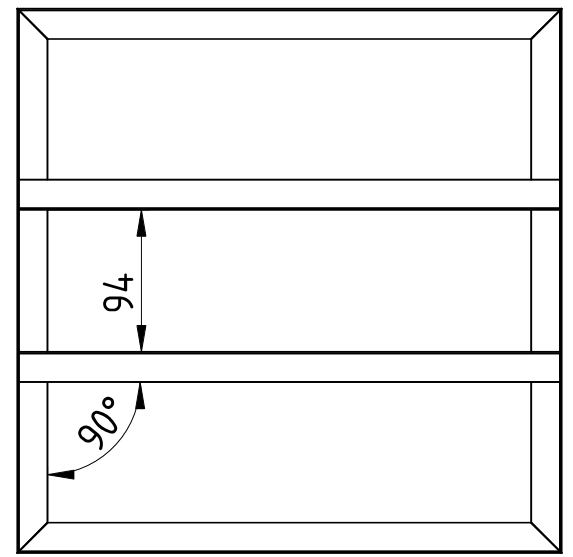
D

C

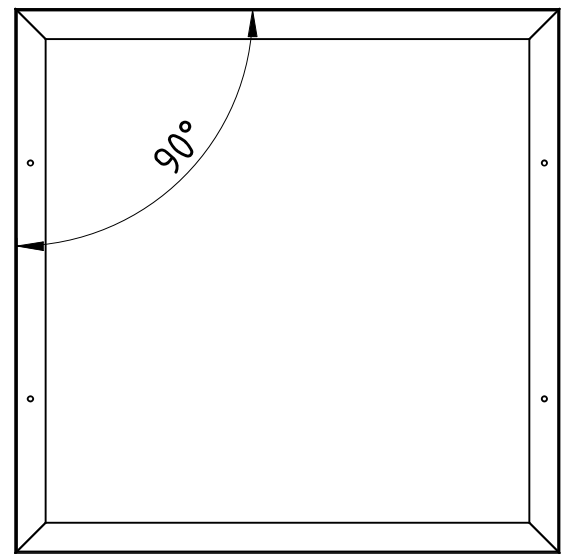
B

A

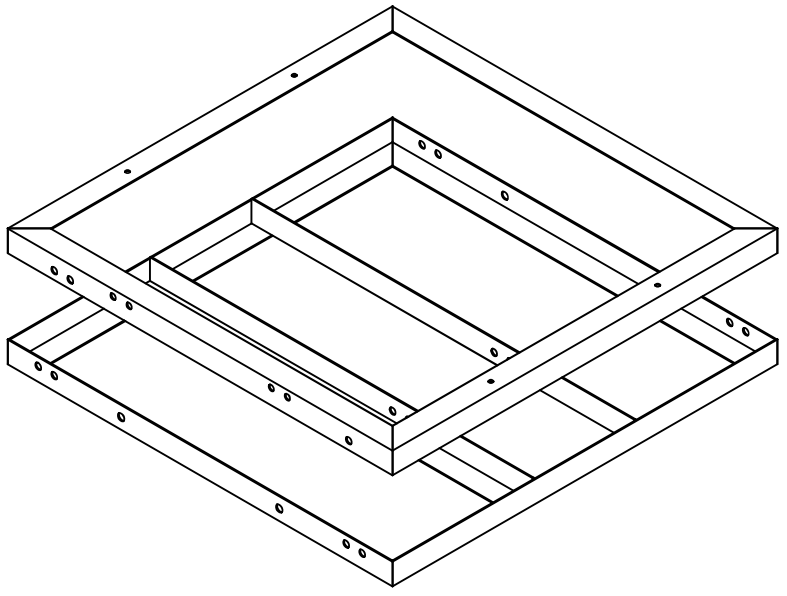
Les 4 profilés du plateau et du bati sont soudés



Bâti dessus



Plateau dessus



Bâti Plateau ISO

DESIGNED BY: A.Bousquet		Cadre Plateau		G	—
DATE: 02/2024		Balance Openbeelab V5		F	—
SIZE A4				E	—
				D	—
SCALE	WEIGHT (kg)	DRAWING NUMBER	SHEET	C	—
				B	—
This drawing is our property; it can't be reproduced or communicated without our written consent.				A	—

F

E

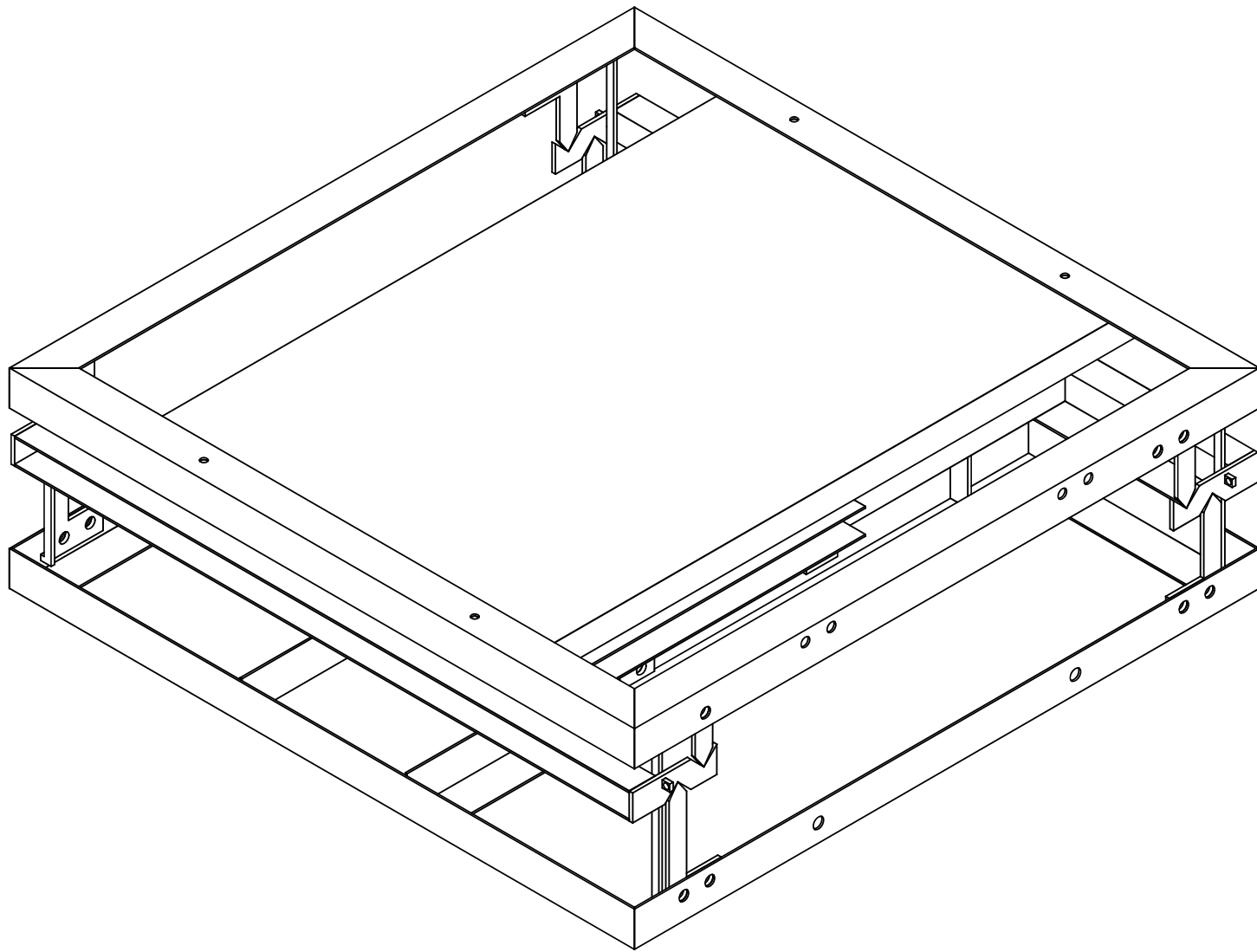
D

4

3

2

1



Balance ISO

F

E

D

C

B

A

4

4

3

3

2

2

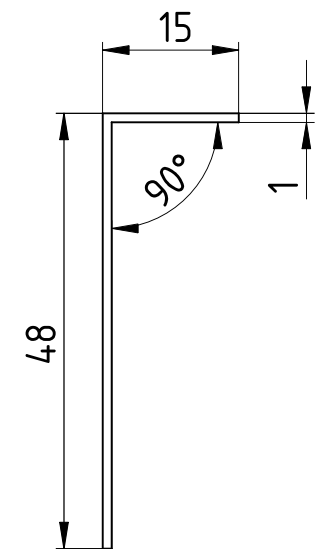
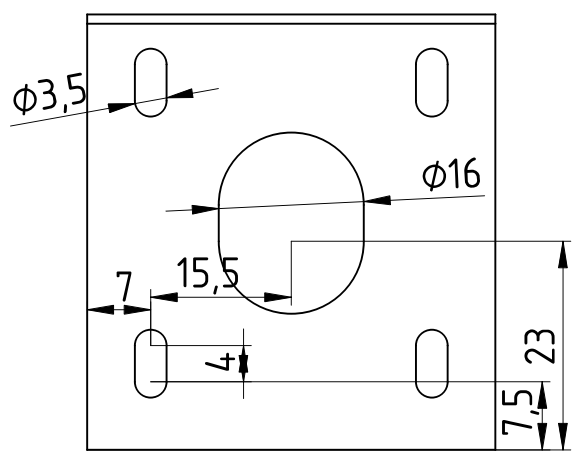
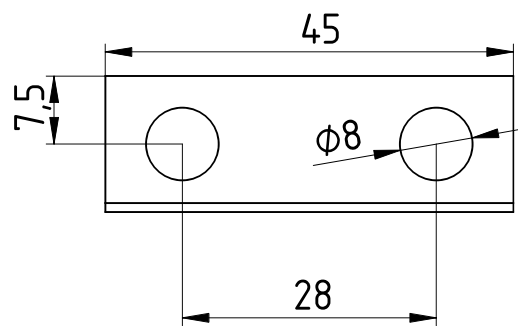
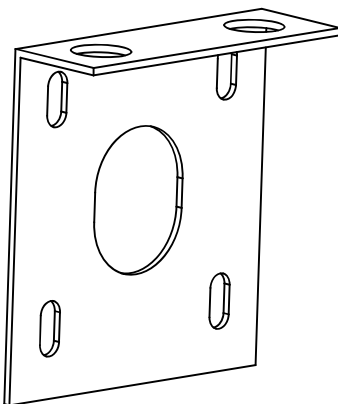
1



1

F

E

D



DESIGNED BY: A.Bousquet		Equerre support moteur		G	-
DATE: 02/2024		Balance Openbeelab V5		F	-
SIZE A4	Précision : 0.2 mm	 		E	-
SCALE 1.2	WEIGHT (kg) 0.02			D	-
DRAWING NUMBER		SHEET		C	-
		Acier		B	-
This drawing is our property; it can't be reproduced or communicated without our written consent.				A	-

F

E

D

C

B

A

358

15

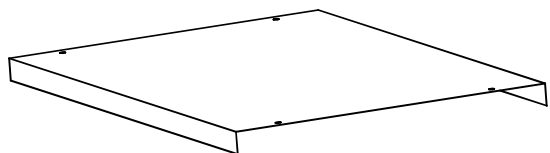
226

4

3

2

1



Tôle pliée entre 1 et 0.3 mm d'épaisseur

DESIGNED BY: A.Bousquet		Carter de protection		G	—
DATE: 02/2024		Balance Openbeelab V5		F	—
SIZE A4				E	—
				D	—
SCALE Scale	WEIGHT (kg)	DRAWING NUMBER	SHEET Acier Inox	C	—
This drawing is our property; it can't be reproduced or communicated without our written consent.				B	—
				A	—

F

E

D