

Nom du document: openbeelab_5

Page / Profile_L_petit_cote

Page001 / Profile_L_grand_cote_bati_x2

Page002 / Barrière_plaque_transport

Page004 / Profile_U_bras1

Page005 / Profile_Ubras2

Page006 / Profile_U_balancier_plan

Page007 / Pointes

Page008 / Plateau_cadre

Page009 / Balance iso

Page010 / Equerre_support_moteur

Page011 / Pointes et contrepontes

Page012 / Carter_protection

F

E

D

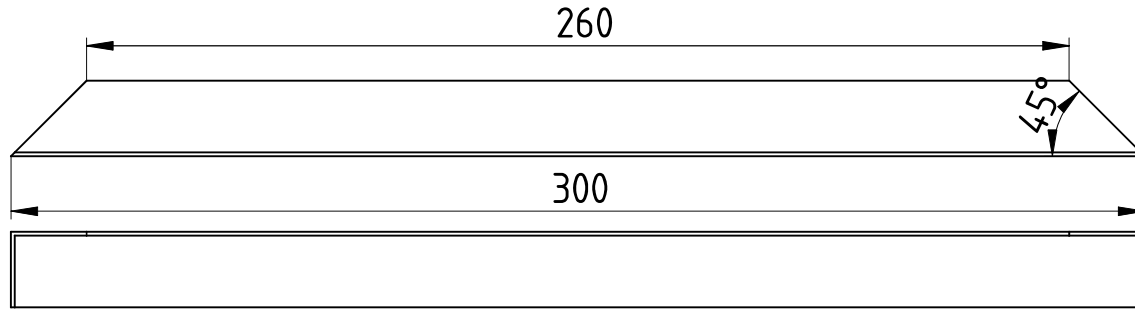
C

B

A

4

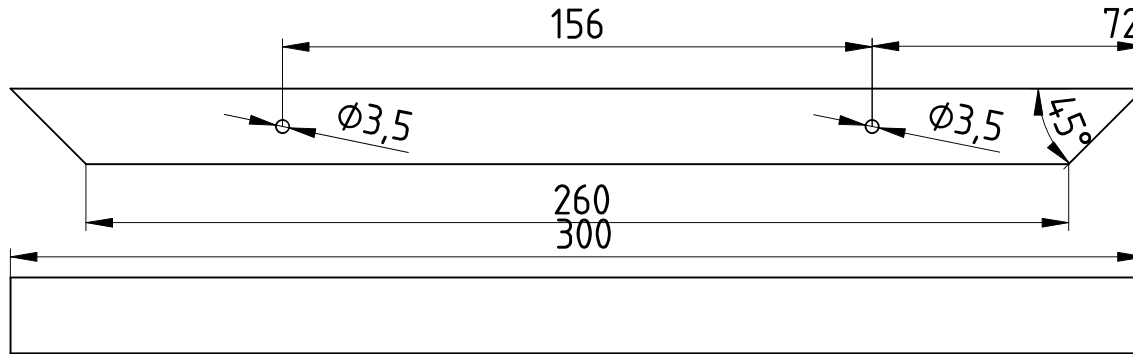
4



Petit coté Bâti x2

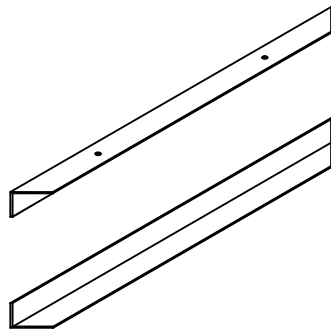
3

3



2

2



1

1

DESIGNED BY: A.Bousquet		Petit coté Plateau et bati		G	—
DATE: 02/2024		Balance Openbeelab V5		F	—
SIZE A4	Précision : ± 0.2 mm			E	—
SCALE 0.6	WEIGHT (kg) 0.085			D	—
DRAWING NUMBER 1		SHEET Acier		C	—
This drawing is our property; it can't be reproduced or communicated without our written consent.				B	—
				A	—

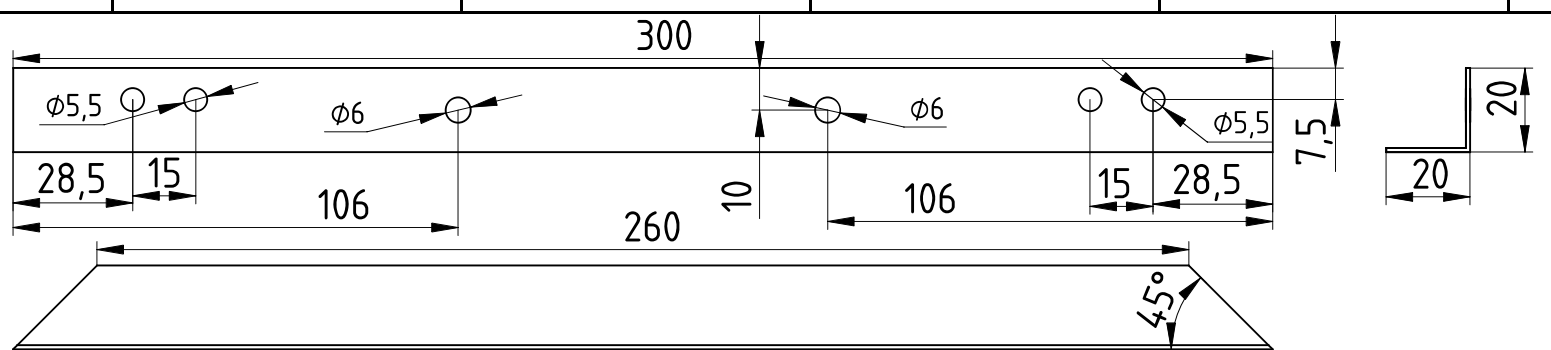
F

E

D

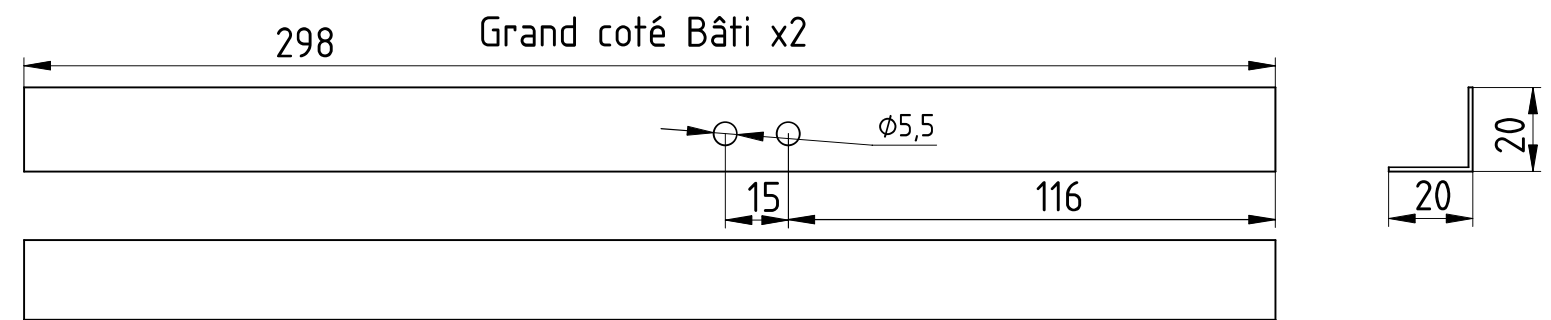
F E D C B A

4



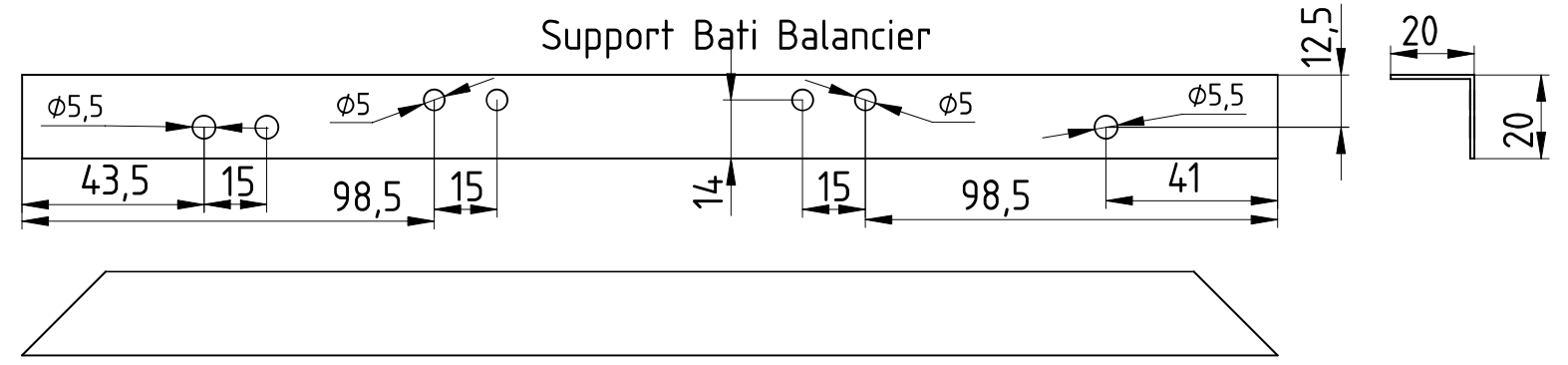
4

3



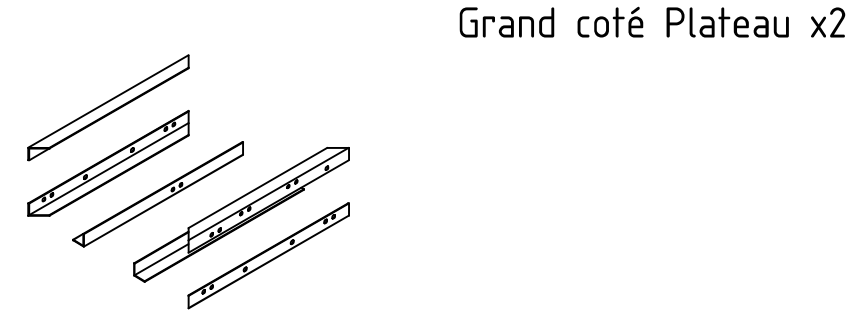
3

2



2

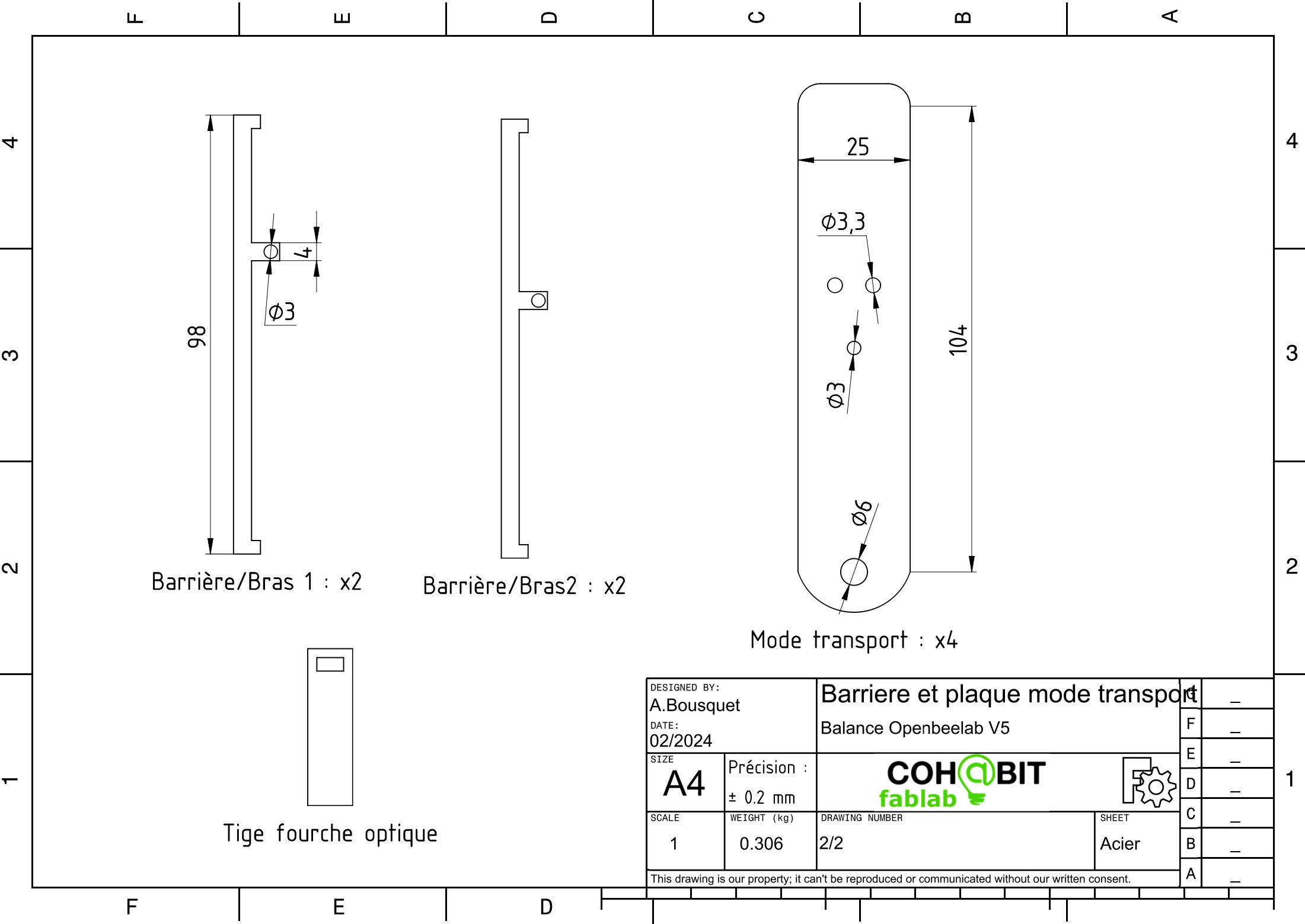
1



1

F E D C B A

DESIGNED BY: A.Bousquet		Grand coté bati et plateau		G	-
DATE: 02/2024		Balance Openbeelab V5		F	-
SIZE A4	Précision : ± 0.2 mm			E	-
SCALE 0.5	WEIGHT (kg) 0.200			D	-
DRAWING NUMBER 1		SHEET Acier		C	-
This drawing is our property; it can't be reproduced or communicated without our written consent.				B	-
				A	-





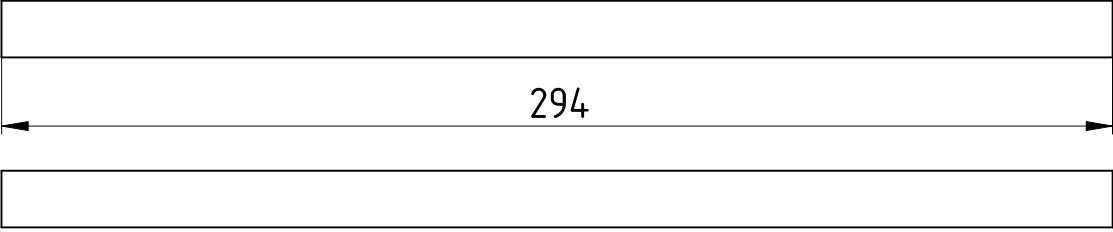
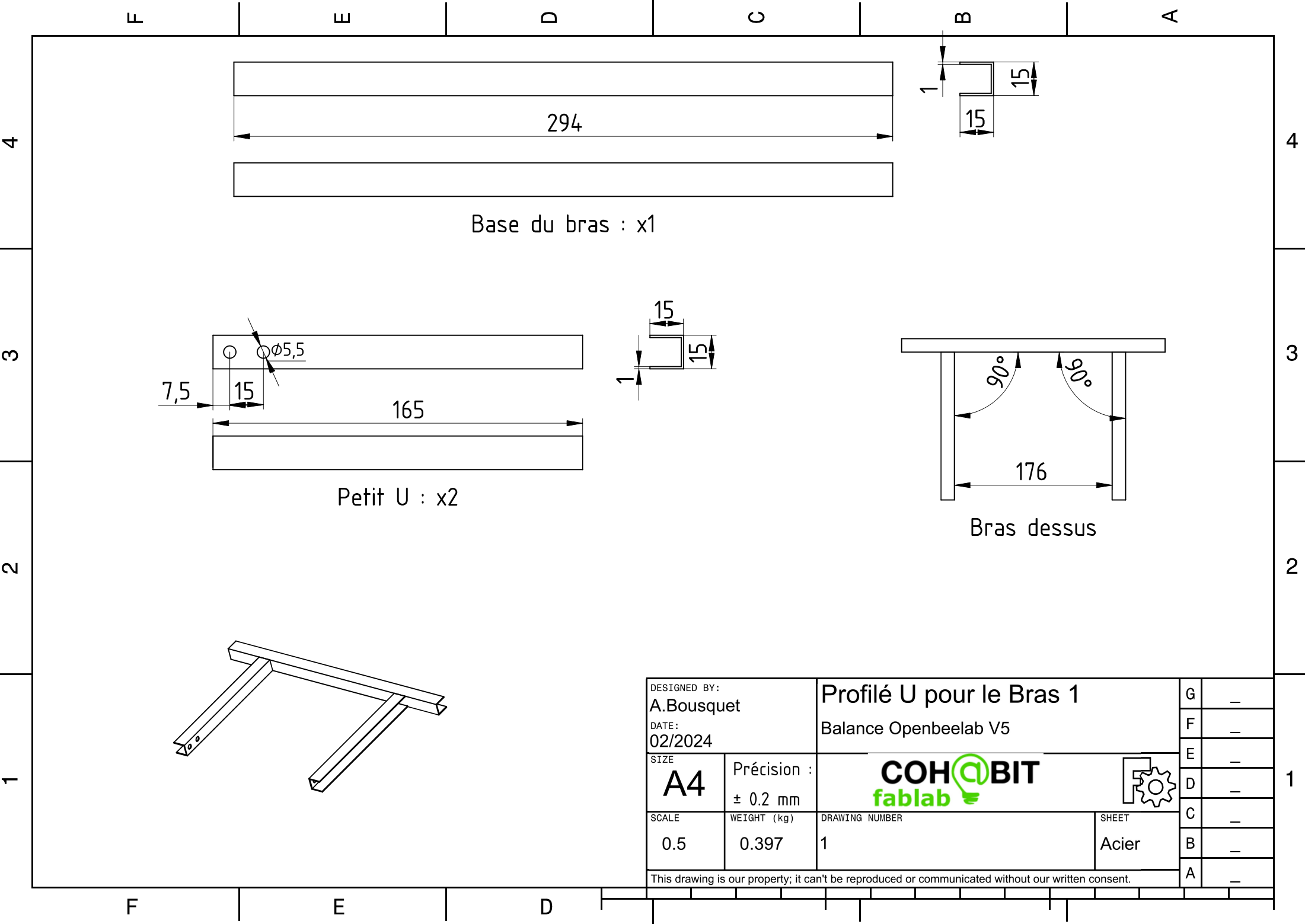
Barrière/Bras 1 : x2

Barrière/Bras2 : x2

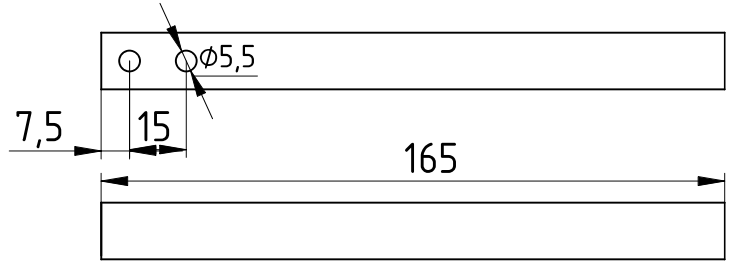
Mode transport : x4

Tige fourche optique

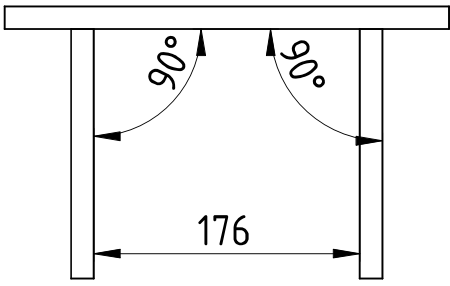
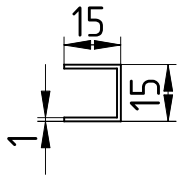
DESIGNED BY: A.Bousquet		Barriere et plaque mode transport		F	-
DATE: 02/2024		Balance Openbeelab V5		E	-
SIZE A4	Précision : ± 0.2 mm	 		D	-
SCALE 1	WEIGHT (kg) 0.306			DRAWING NUMBER 2/2	C
		SHEET Acier		B	-
This drawing is our property; it can't be reproduced or communicated without our written consent.				A	-



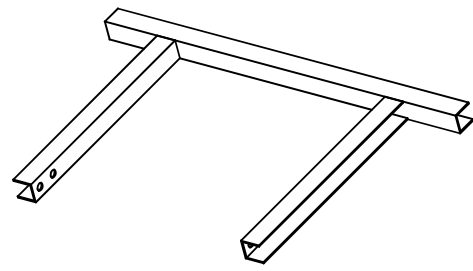
Base du bras : x1



Petit U : x2



Bras dessus



DESIGNED BY: A.Bousquet		Profilé U pour le Bras 1		G	-
DATE: 02/2024		Balance Openbeelab V5		F	-
SIZE A4	Précision : ± 0.2 mm			E	-
SCALE 0.5	WEIGHT (kg) 0.397			D	-
DRAWING NUMBER 1		SHEET Acier		C	-
This drawing is our property; it can't be reproduced or communicated without our written consent.				B	-
				A	-

F

E

D

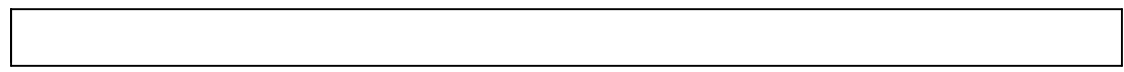
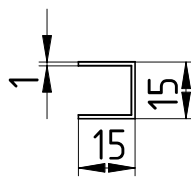
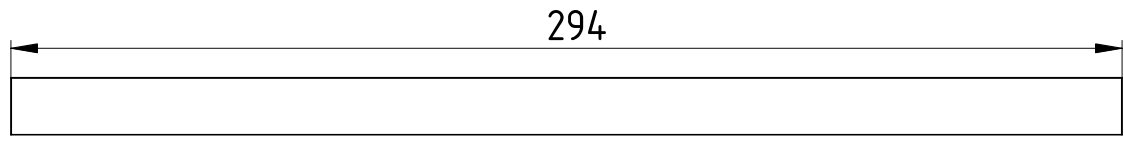
C

B

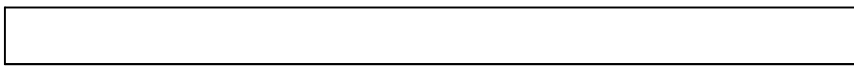
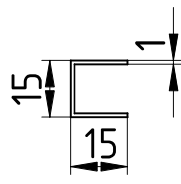
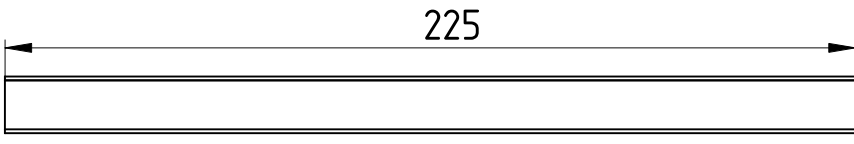
A

4

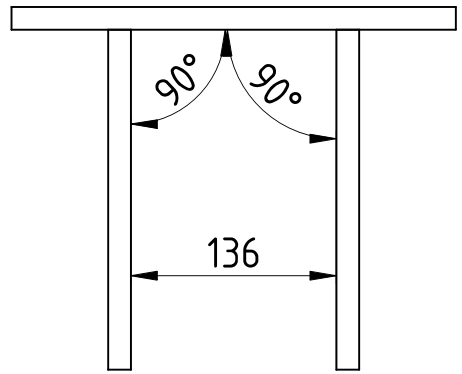
4



Base du bras 2 : x1



Petit U bras 2 : x2



2

2

1

1

DESIGNED BY: A.Bousquet		Profilé U pour bras 2		G	-
DATE: 02/2024		Balance Openbeelab V5		F	-
SIZE A4	Précision : ± 0.2 mm			E	-
SCALE 0.5	WEIGHT (kg) 0.490			D	-
DRAWING NUMBER 1		SHEET Acier		C	-
This drawing is our property; it can't be reproduced or communicated without our written consent.				B	-
				A	-

F

E

D

F E D C B A

4

3

2

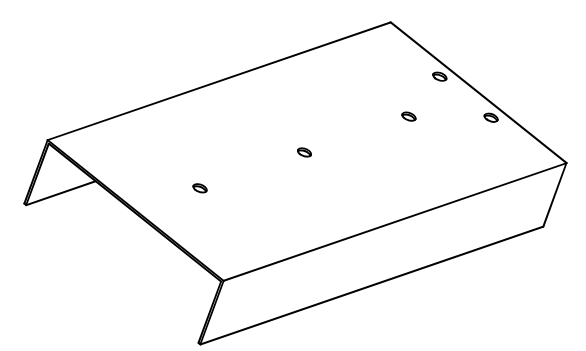
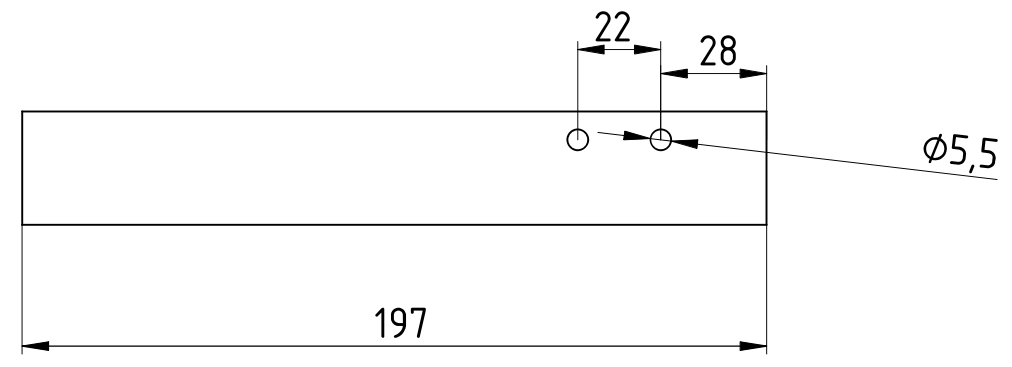
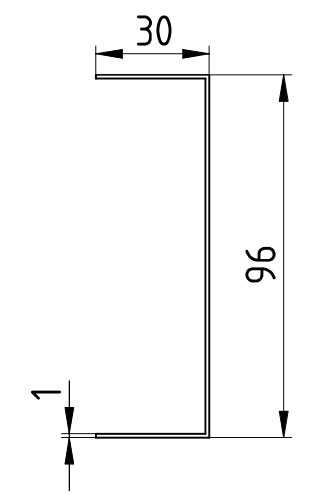
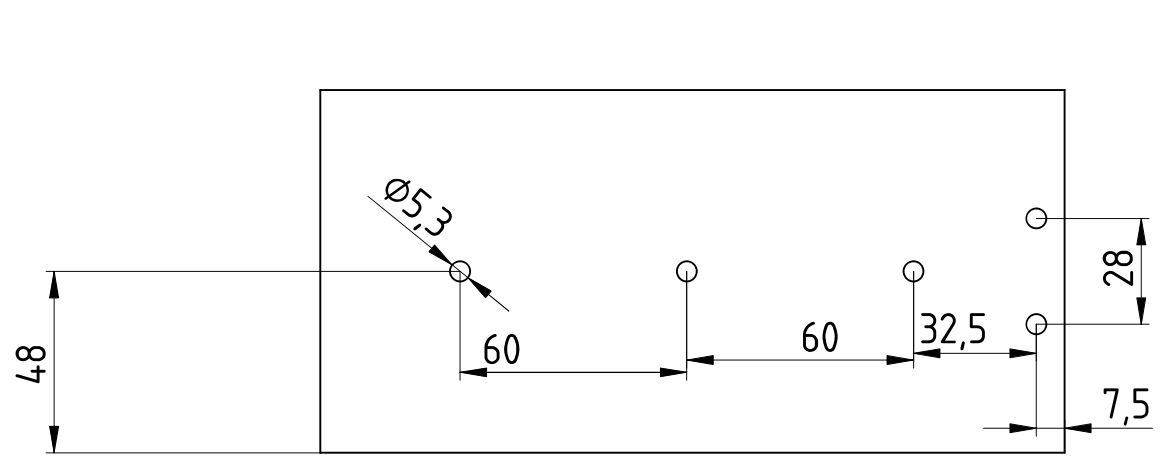
1


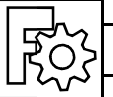
4

3

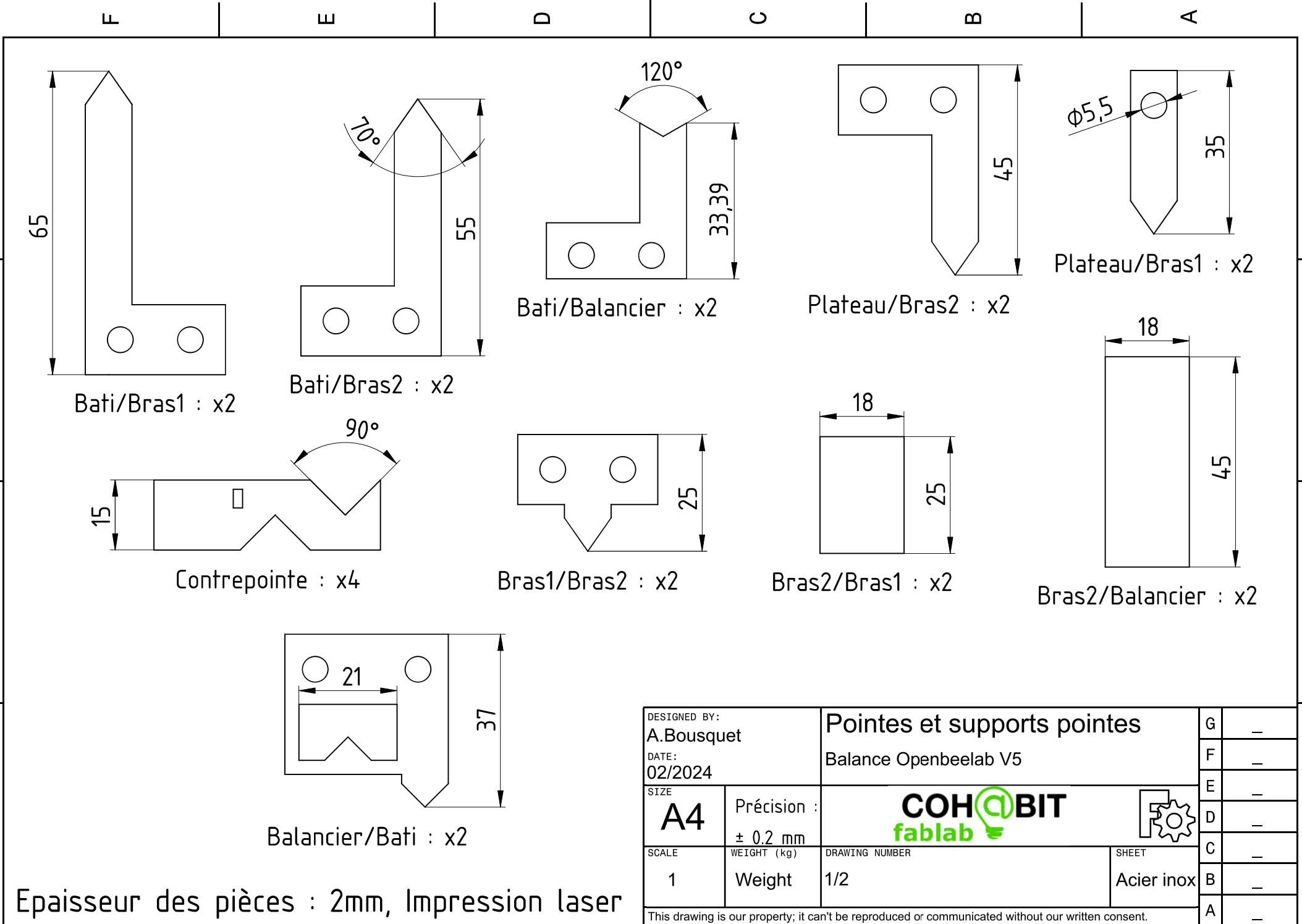
2

1



DESIGNED BY: A.Bousquet		U du balancier		G	-
DATE: 02/2024		Balance Openbeelab V5		F	-
SIZE A4	Précision : ± 0.2 mm	 		E	-
SCALE 0.5	WEIGHT (kg) 0.422			D	-
DRAWING NUMBER Drawing number		SHEET Acier		C	-
This drawing is our property; it can't be reproduced or communicated without our written consent.				B	-
				A	-

F E D



Epaisseur des pièces : 2mm, Impression laser

DESIGNED BY: A.Bousquet		Pointes et supports pointes		G	-
DATE: 02/2024		Balance Openbeelab V5		F	-
SIZE A4	Précision : ± 0.2 mm			E	-
SCALE 1	WEIGHT (kg) Weight			DRAWING NUMBER 1/2	SHEET Acier inox
This drawing is our property; it can't be reproduced or communicated without our written consent.				C	-
				B	-
				A	-

F

E

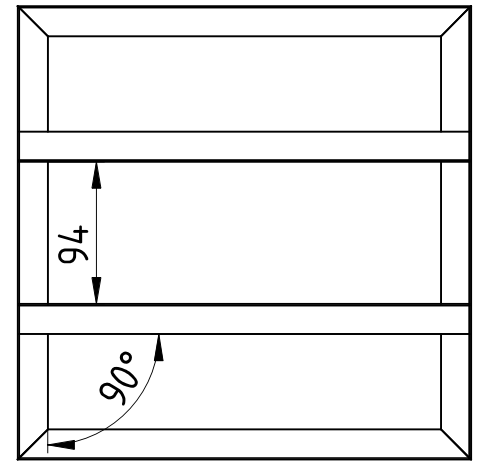
D

C

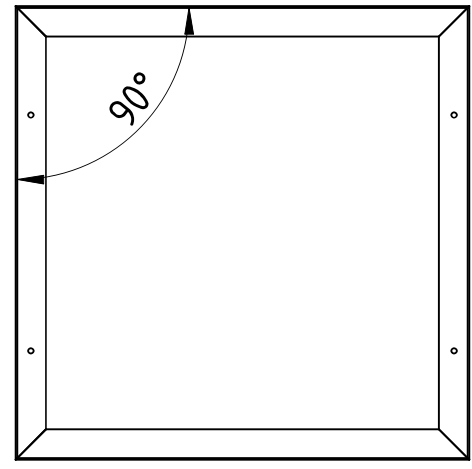
B

A

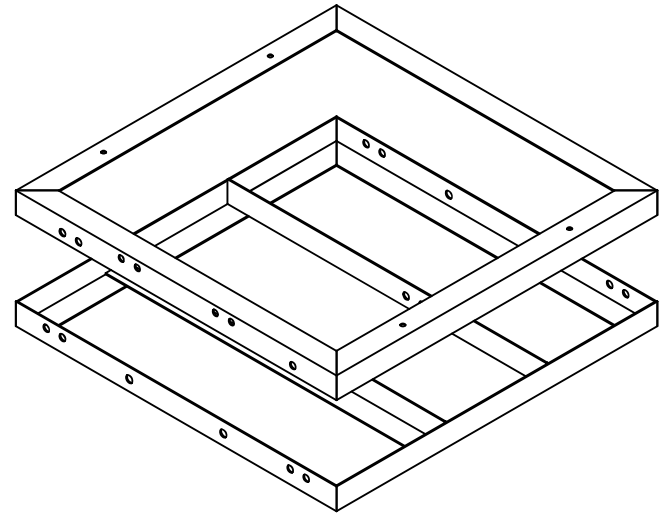
Les 4 profilés du plateau et du bati sont soudés



Bâti dessus



Plateau dessus



Bâti Plateau ISO

DESIGNED BY: A.Bousquet		Cadre Plateau		G	—
DATE: 02/2024		Balance Openbeelab V5		F	—
SIZE A4				E	—
				D	—
SCALE	WEIGHT (kg)	DRAWING NUMBER	SHEET	C	—
				B	—
This drawing is our property; it can't be reproduced or communicated without our written consent.				A	—

F

E

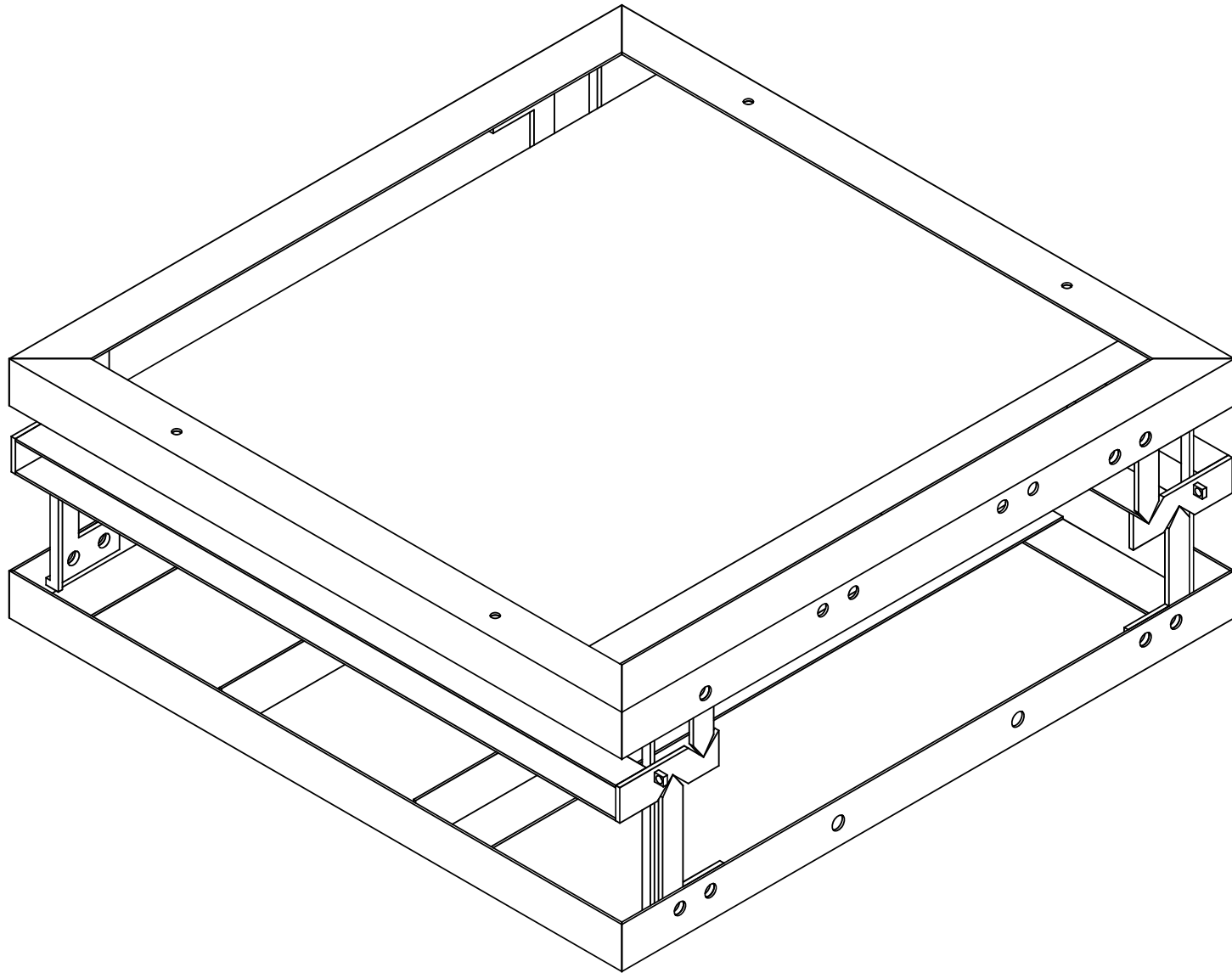
D

4

3

2

1



Balance ISO

F

E

D

C

B

A

4

4

3

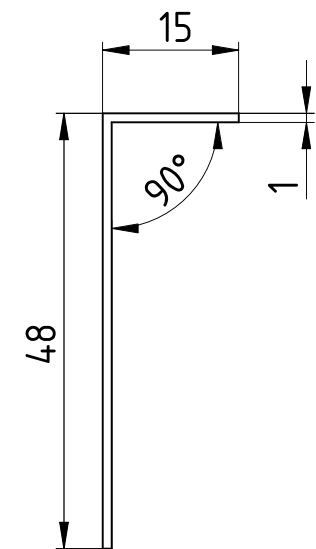
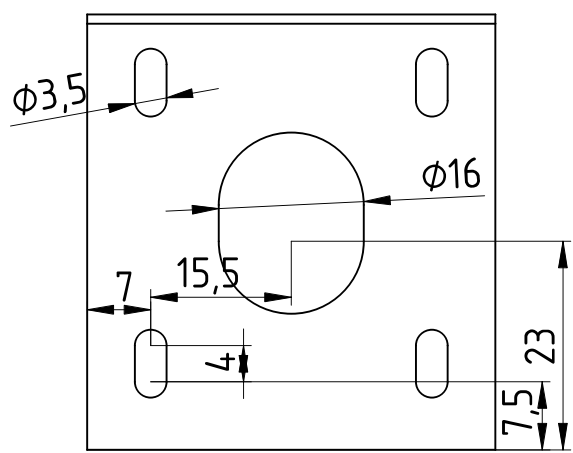
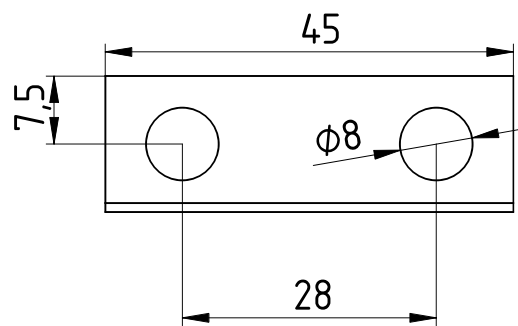
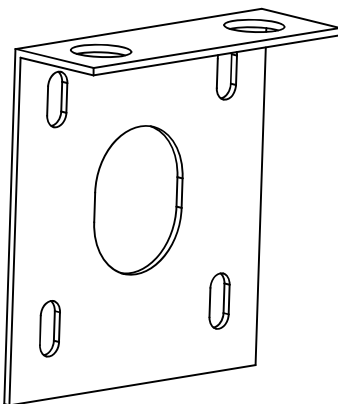
3


2

2

1

1

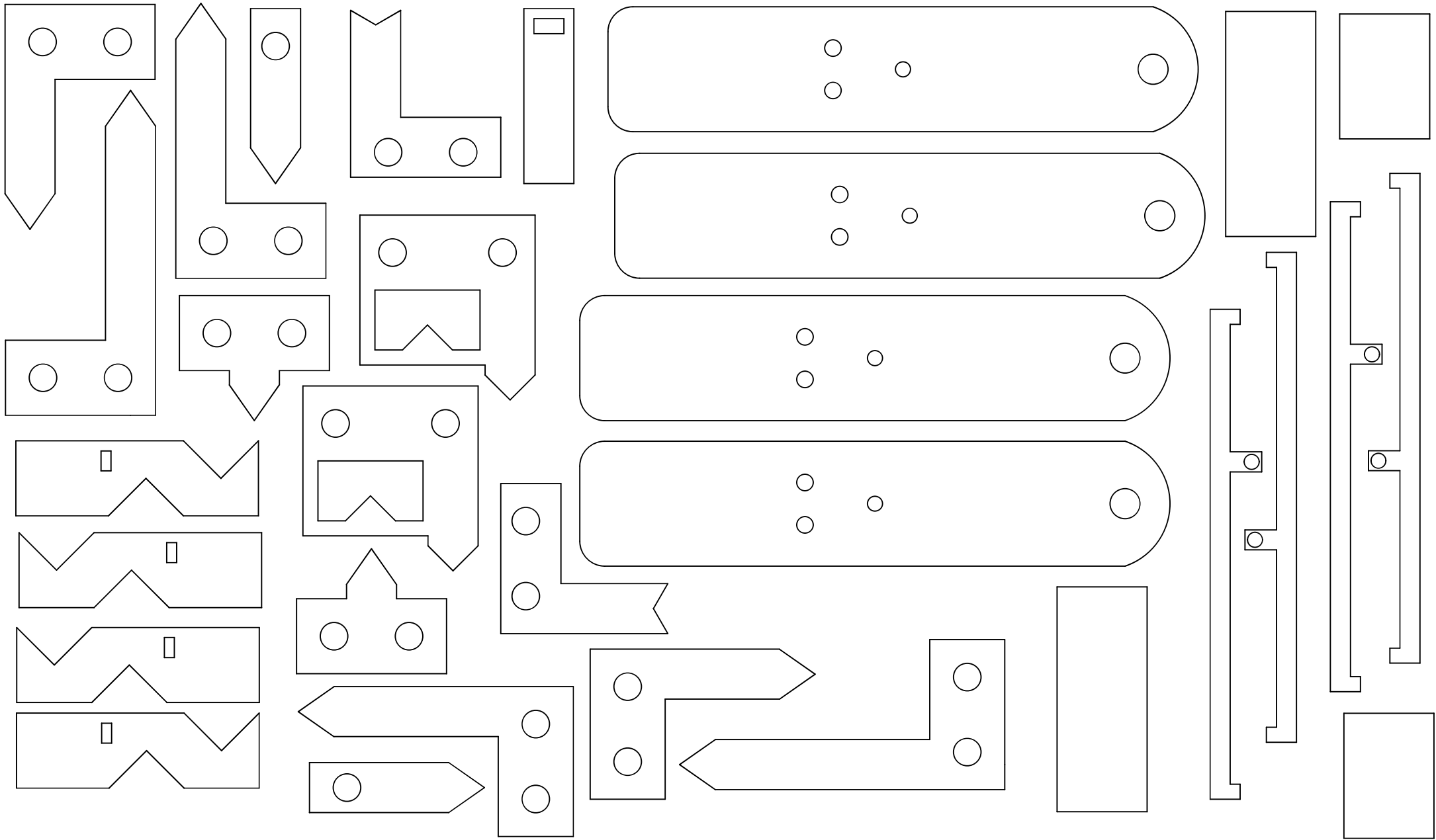


DESIGNED BY: A.Bousquet		Equerre support moteur		G	-
DATE: 02/2024		Balance Openbeelab V5		F	-
SIZE A4	Précision : 0.2 mm			E	-
SCALE 1.2	WEIGHT (kg) 0.02			D	-
DRAWING NUMBER		SHEET		C	-
		Acier		B	-
This drawing is our property; it can't be reproduced or communicated without our written consent.				A	-

F

E

D



F

E

D

C

B

A

298

15

226

4

4

3

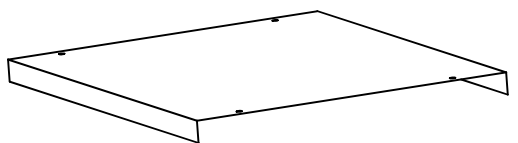
3

2

2

1

1



Tôle pliée entre 1 et 0.3 mm d'épaisseur

DESIGNED BY: A.Bousquet		Carter de protection		G	—
DATE: 02/2024		Balance Openbeelab V5		F	—
SIZE A4				E	—
				D	—
SCALE Scale	WEIGHT (kg)	DRAWING NUMBER	SHEET Acier Inox	C	—
This drawing is our property; it can't be reproduced or communicated without our written consent.				B	—
				A	—

