

F

E

D

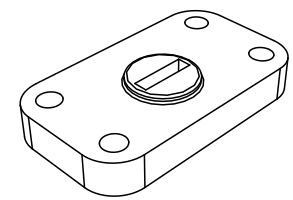
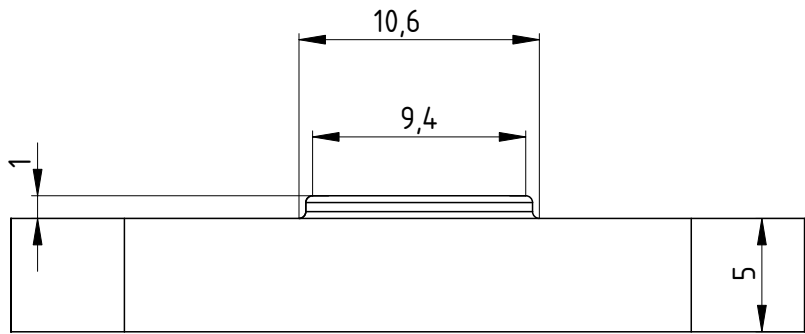
C

B

A

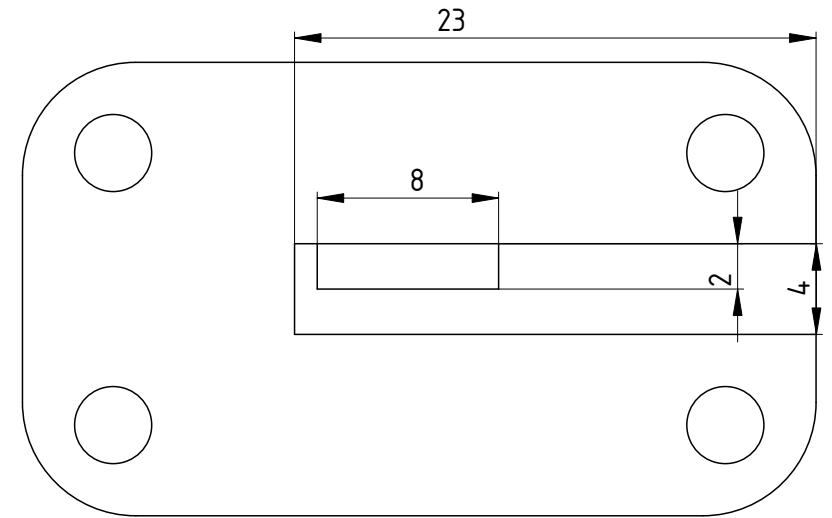
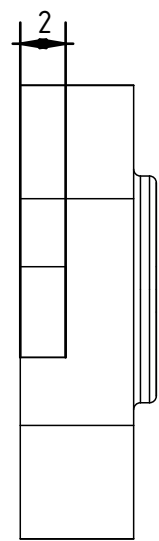
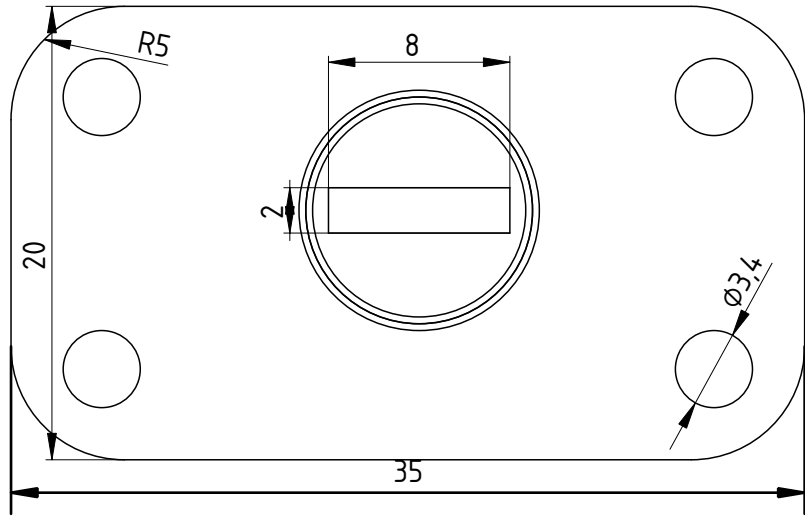
4

4



3

3



2

2

1

1

DESIGNED BY: Inès F.		Cache pompe à eau		G	—
DATE: 28/05/2024				F	—
SIZE A4				E	—
				D	—
SCALE 3	WEIGHT (kg) 0.0022	DRAWING NUMBER 1	SHEET 1	C	—
				B	—
This drawing is our property; it can't be reproduced or communicated without our written consent.				A	—

F

E

D

