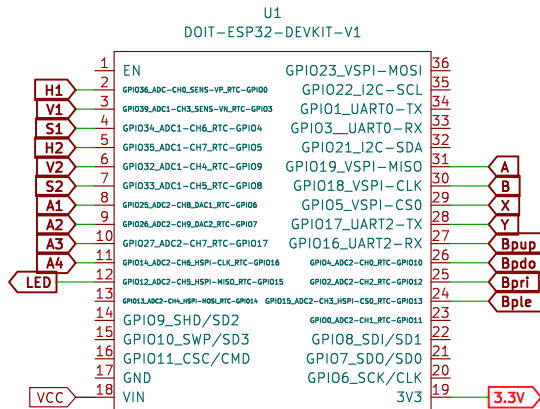
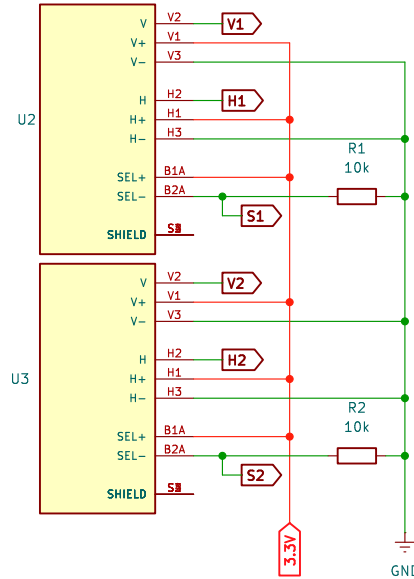


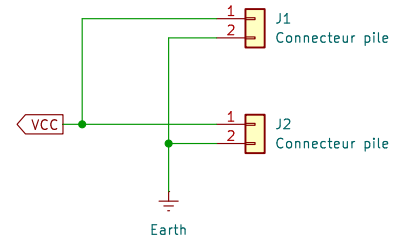
# MCU



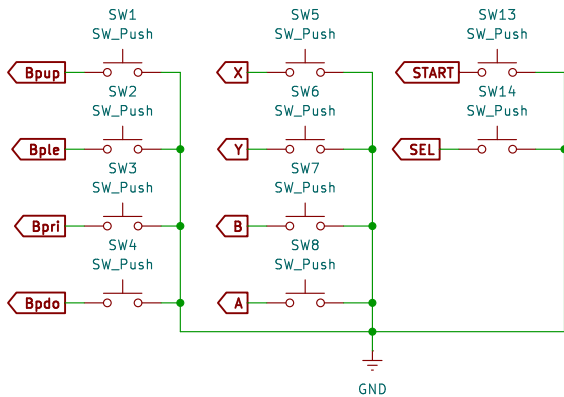
# JOYSTICKS



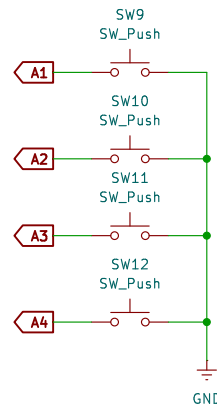
# ENERGIE



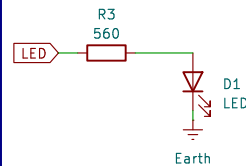
# BOUTONS



# GACHETTE



# CONNECTION



M. LE MEUR, A. BINNER

Sheet: /  
File: mannette.kicad\_sch

**Title: Manette ESP 32**

Size: A4 Date: 2024-05-30

KiCad E.D.A. 8.0.2

Rev:

Id: 1/1