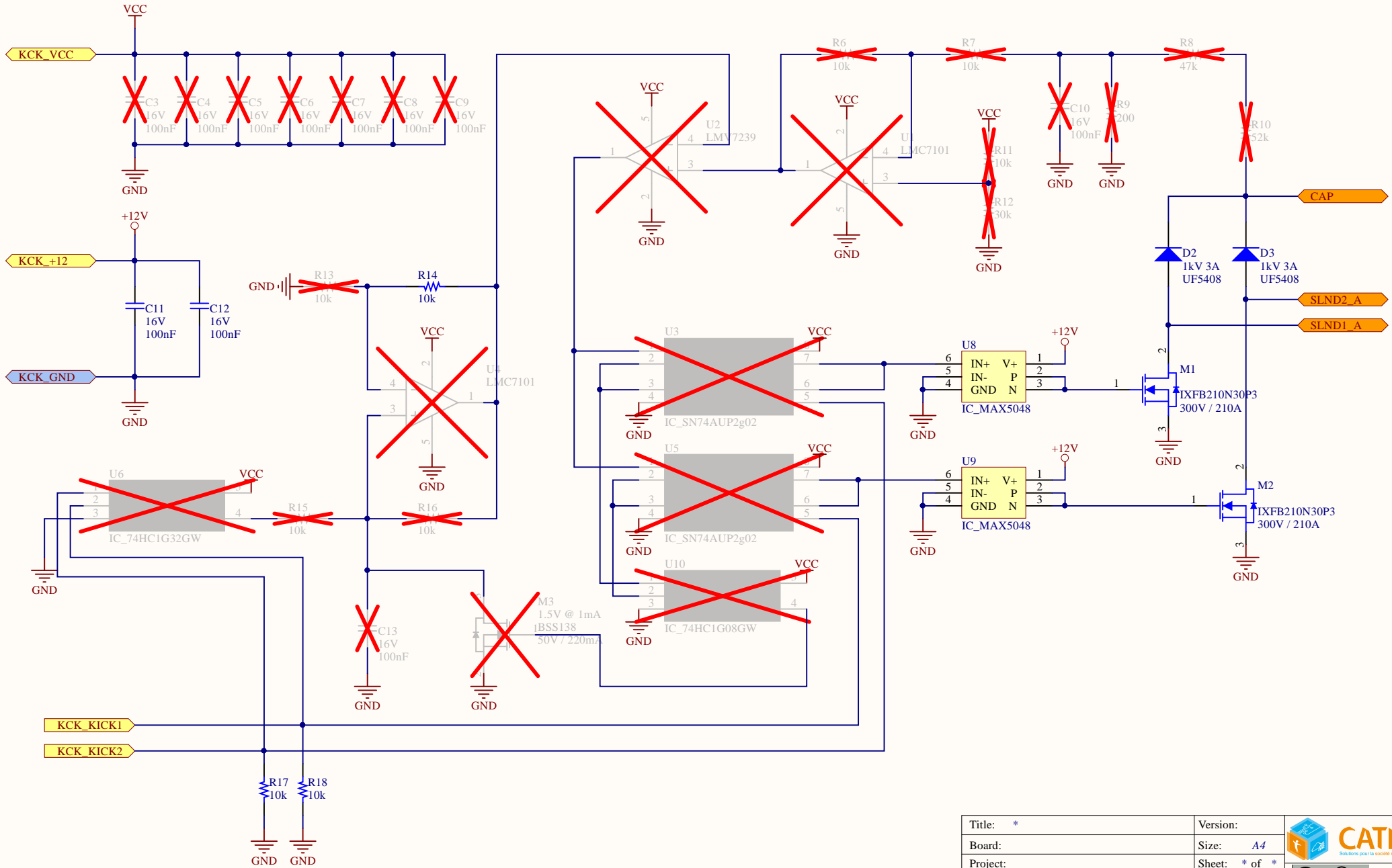


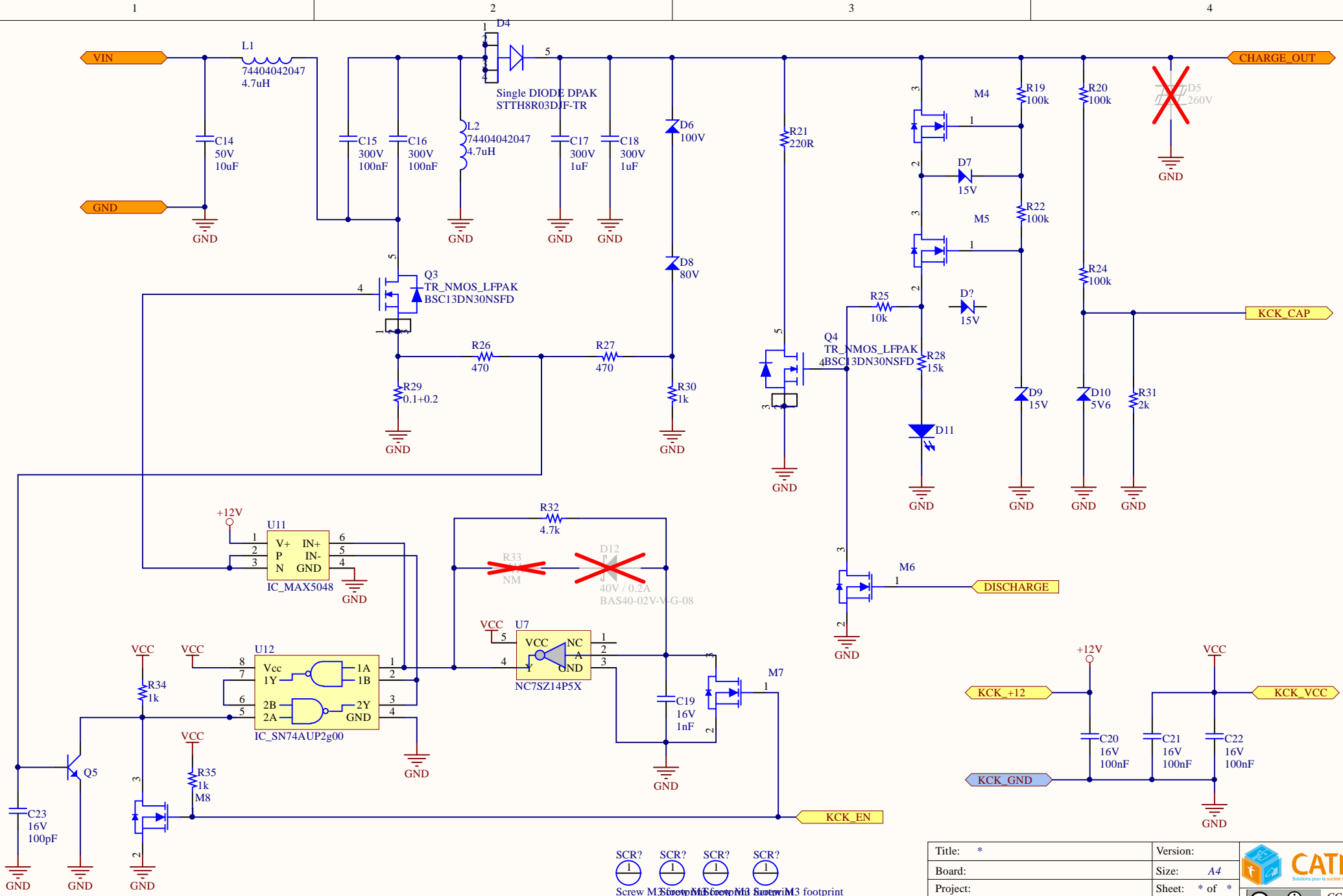


Title: <i>Interconnect</i>	Version:	
Board:	Size: <i>A4</i>	
Project:	Sheet: <i>1 of 1</i>	
Author:	Date modified: <i>03/06/2019</i>	






Title: *	Version:	
Board:	Size: A4	
Project:	Sheet: * of *	
Author: *	Date modified: 03/06/2019	

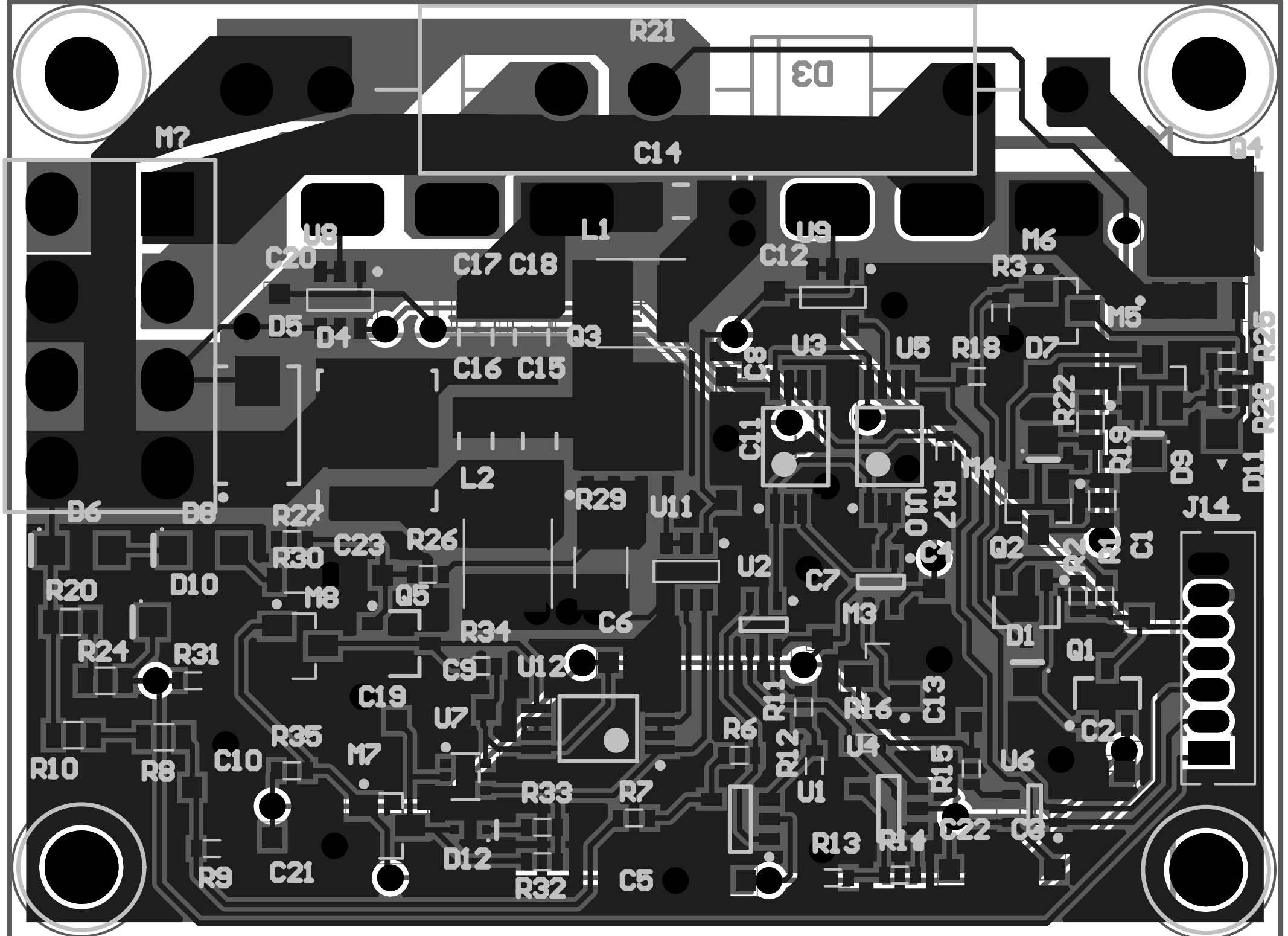


SCR? SCR? SCR? SCR?

 Screw M3 footprint

Title: *	Version:	 CATIE <small>Solutions pour la société romaine</small>
Board:	Size: A4	
Project:	Sheet: * of *	
Author: *	Date modified: 26/06/2019	





R21

D3

M7

C14

Q4

U8

L1

U9

M6

C20

C17

C18

C12

R3

D5

D4

Q3

C16

C15

C8

U3

U5

R18

D7

M5

L2

R29

U11

U2

C7

U10

C3

Q2

B6

B8

R27

C23

R26

R30

M8

Q5

R34

C6

R20

D10

R24

R31

C9

U12

R6

R11

R16

C13

D1

Q1

R1

C1

R10

R8

C10

R35

M7

U7

R33

R7

R12

R17

U4

R15

U6

C2

R9

C21

D12

R32

C5

R13

R14

C22

C9

J4

D9

D11

R25

R28

R29