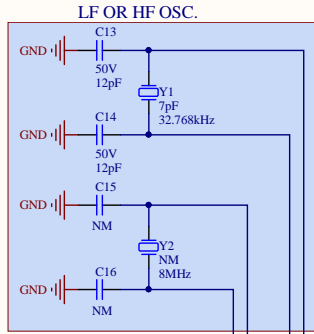
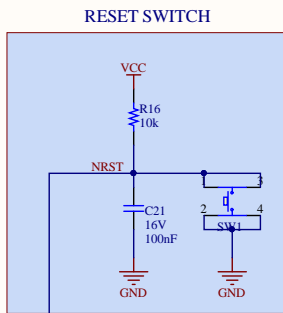


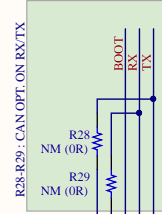
POWER & BYPASS CAP.



LF OR HF OSC.

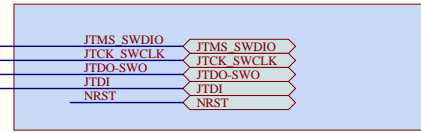


RESET SWITCH

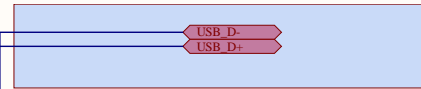


R28-R29 : CAN OPT. ON RX/TX

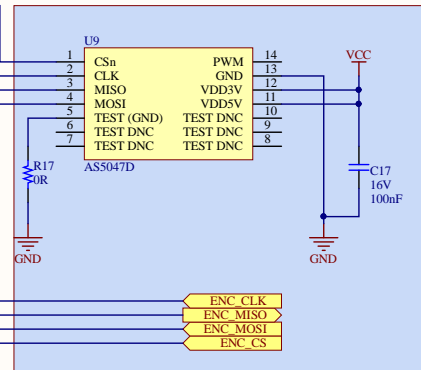
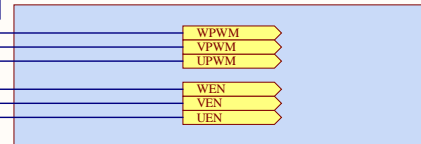
JTAG DEBUG



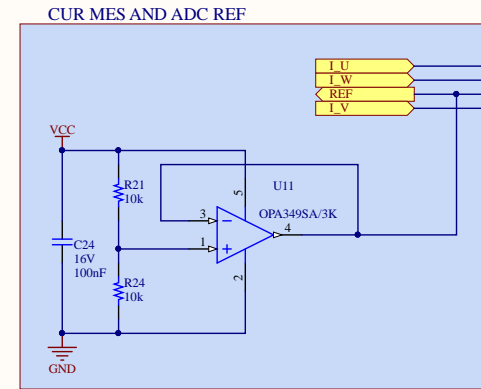
USB DEBUG



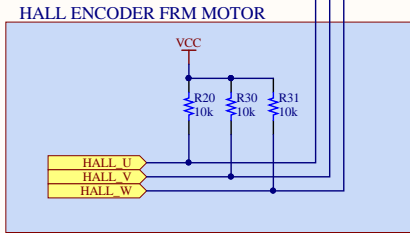
TO MOTOR DRIVERS



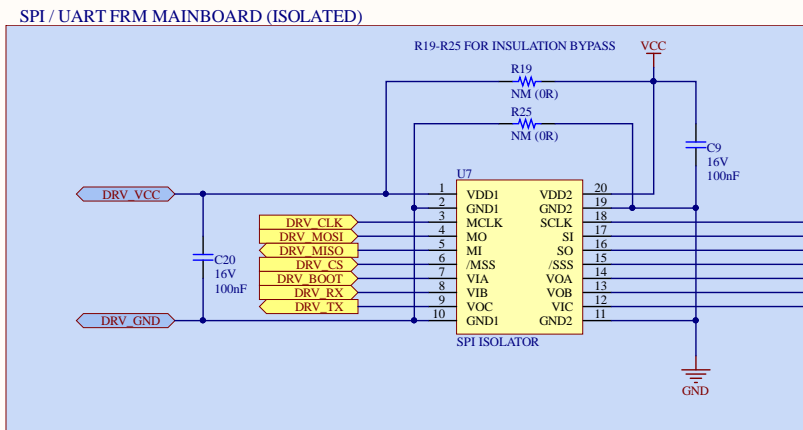
MAGNETIC POS. ENCODERS (INT. & EXT.)



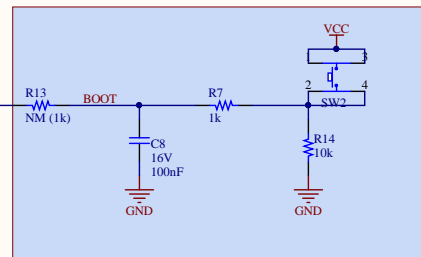
CUR MES AND ADC REF



HALL ENCODER FRM MOTOR

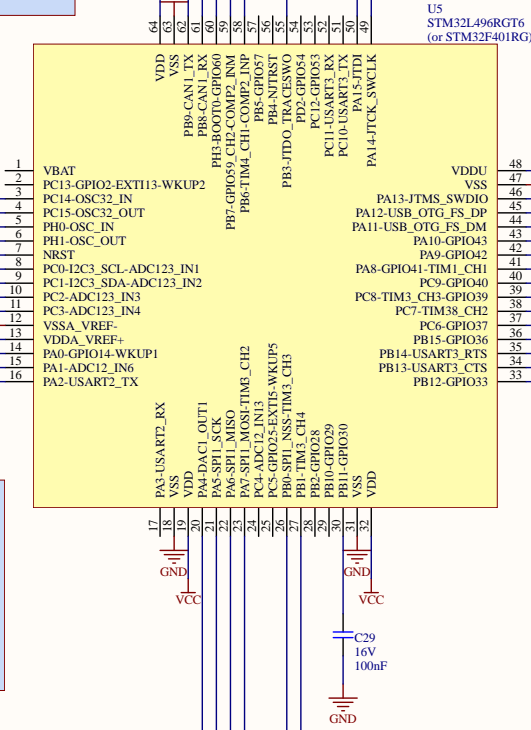


SPI / UART FRM MAINBOARD (ISOLATED)

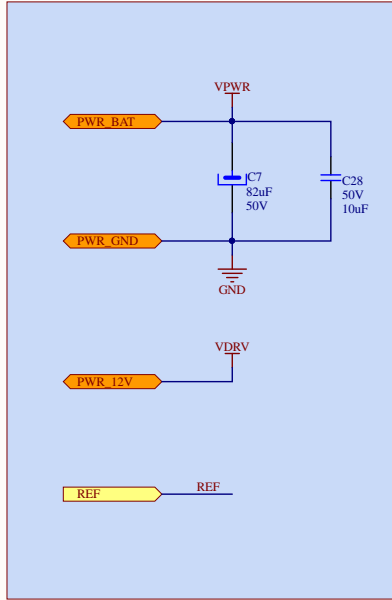


BOOT MODE CONTROL

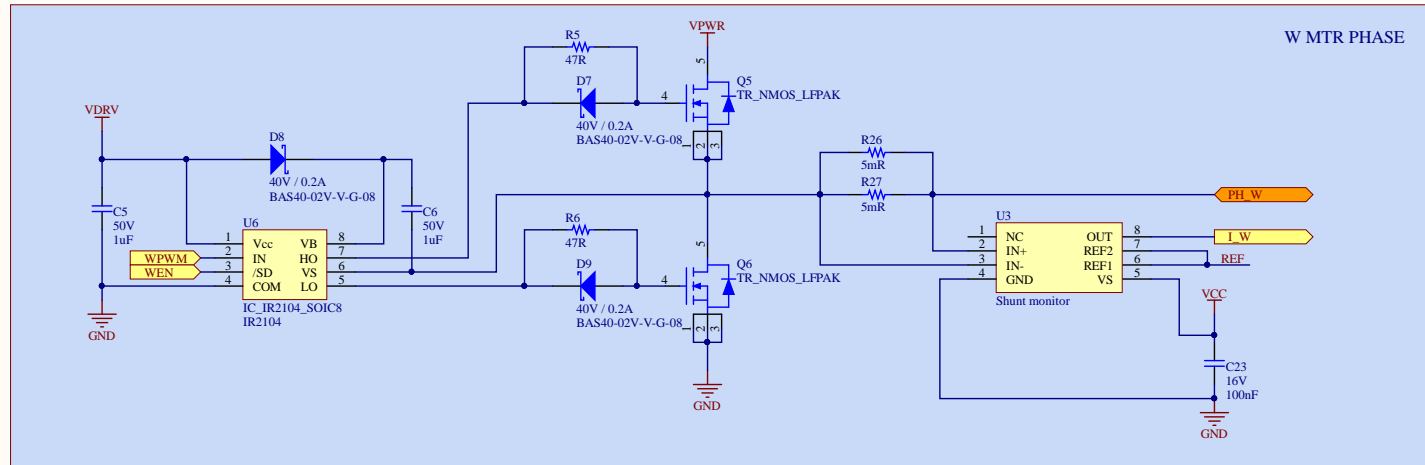
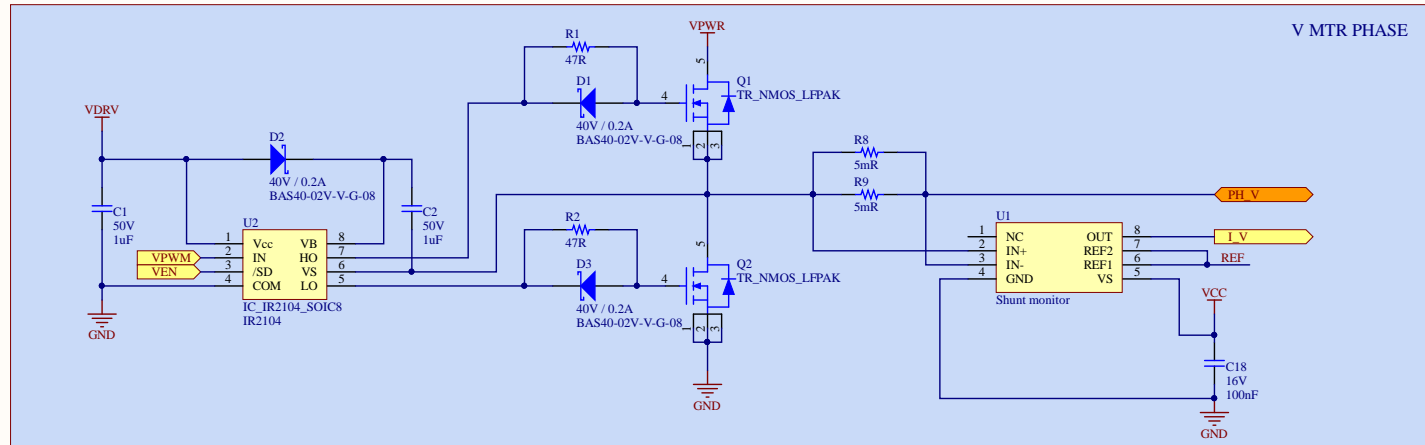
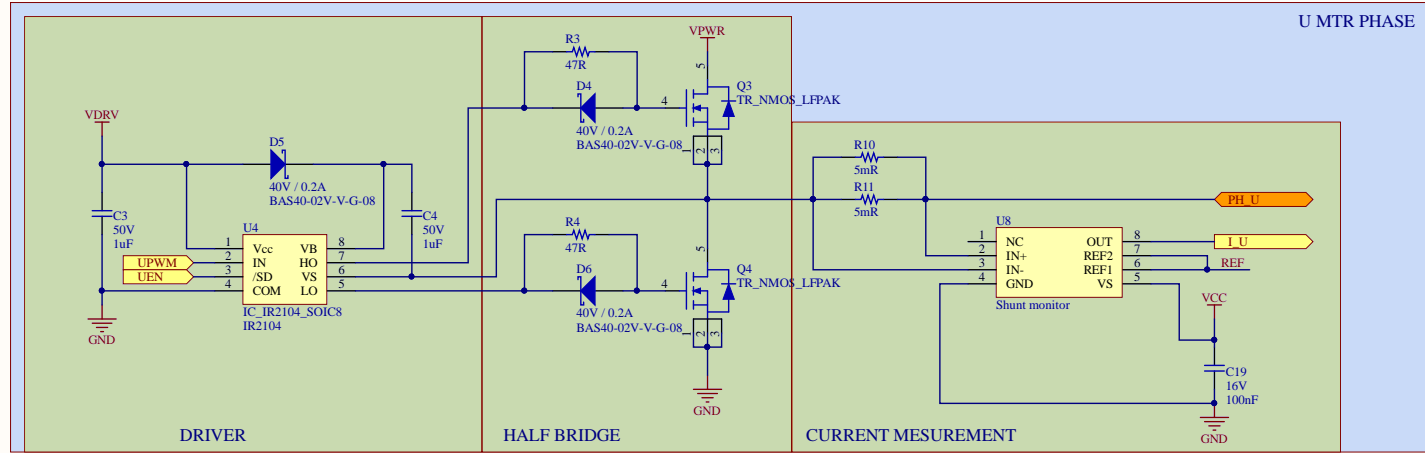
R7 : ENTER BOOT MODE BY SWITCH
R13 : ENTER BOOT MODE BY MAINBOARD



U5
STM32L496RGT6
(or STM32F401RG)

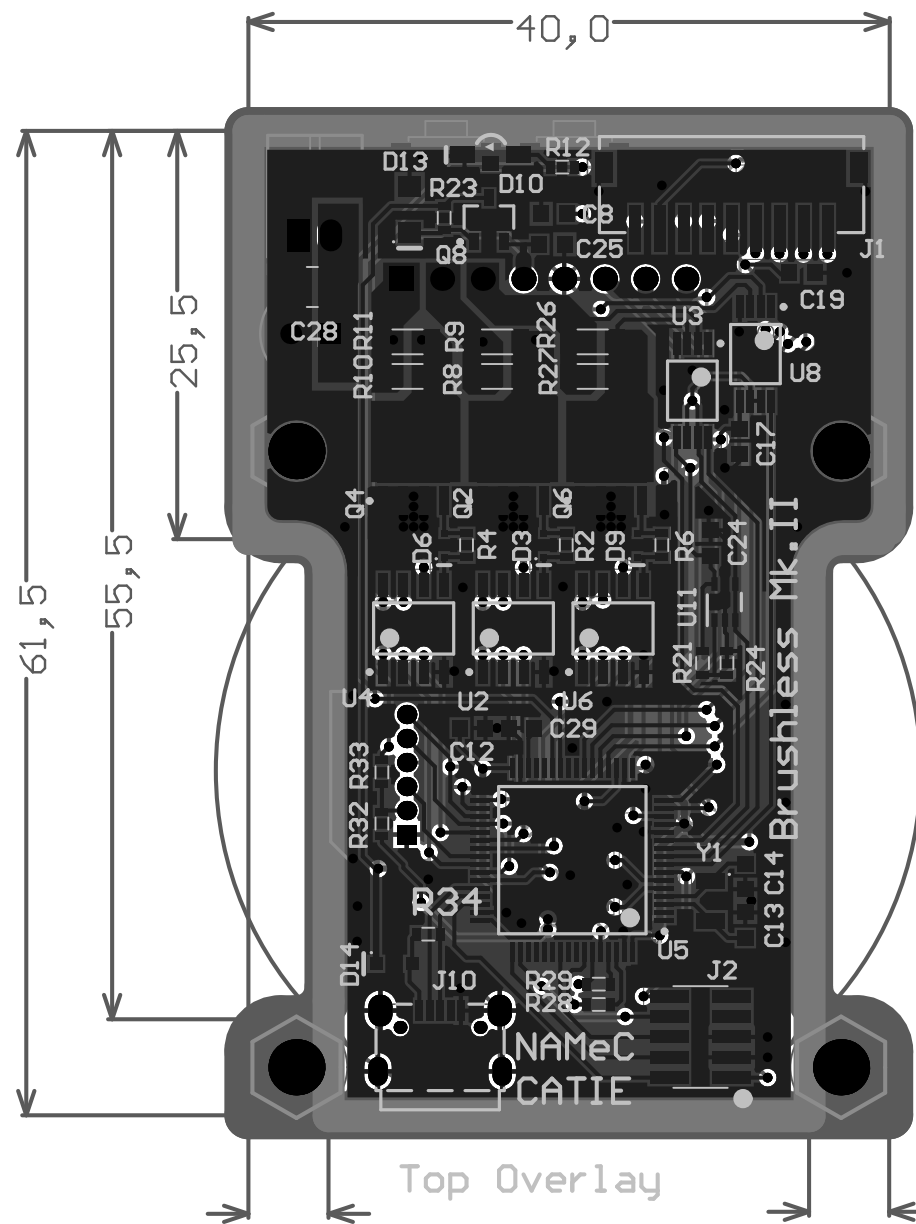


POWER & BYPASS CAP.



| | |
|----------------------|---------------------------|
| Title: Driver | Version: 1.0.0 |
| Board: Brushless | Size: A3 |
| Project: SSL_v2 | Sheet: 3 of 3 |
| Author: R. Deniéport | Date modified: 10/02/2019 |





Brushless Mk.II V1.0.0

- 5,0 Top Layer (1/4) 5,0
- Inner Layer 1 (2/4)
- Inner Layer 2 (3/4)
- Bottom Layer (4/4)

Bottom Overlay
Mechanical