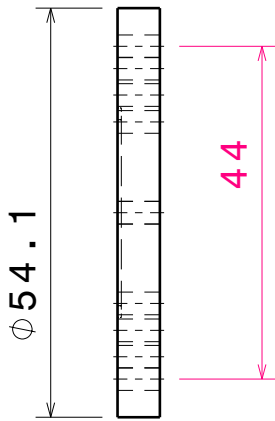
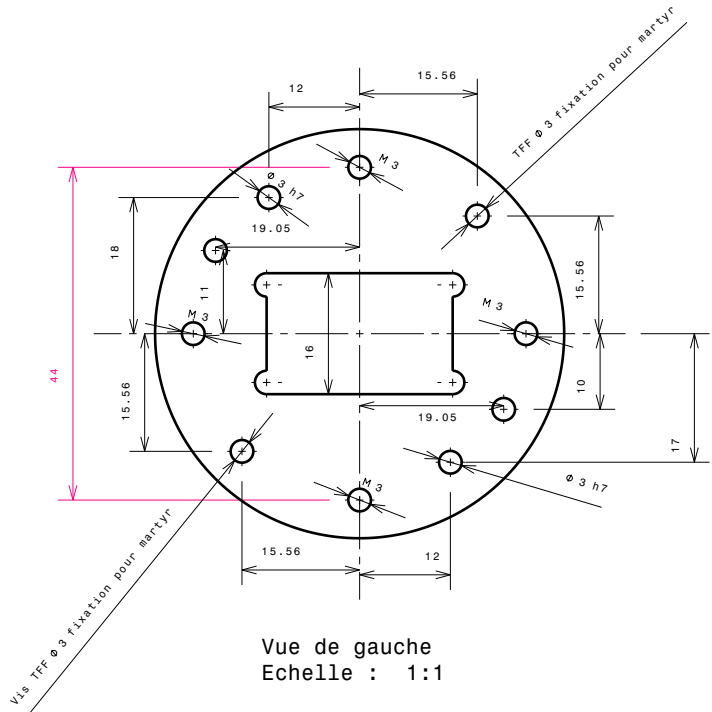


Vue isométrique  
Echelle : 1:1



Vue de face  
Echelle : 1:1



Vue de gauche  
Echelle : 1:1

DESIGNED BY: <b>destor</b>		<b>IMS</b> 351, cours de la Libération- 33405 Talence Cedex		I	—	
DATE: 15/03/2011				H	—	
CHECKED BY: <b>XXX</b>		<b>Support Capteur 24.6 mm x 16 mm</b>		G	—	
DATE: 15/03/2011				F	—	
SIZE <b>A4</b>		MATTER <b>XXX</b>	TREATMENT <b>XXX</b>	TOLERANCE +/- 0.1	E	—
SCALE <b>1:1</b>	MASS (kg) <b>XXX</b>	DRAWING NUMBER <b>IMS-JJJ-PPP-XXXX-YYYY-00</b>		SHEET <b>1 / 1</b>	D	—
This drawing is our property; it can't be reproduced or communicated without our written agreement.					C	—
					B	—
					A	—

D

A