

D

C

B

A

4

4

3

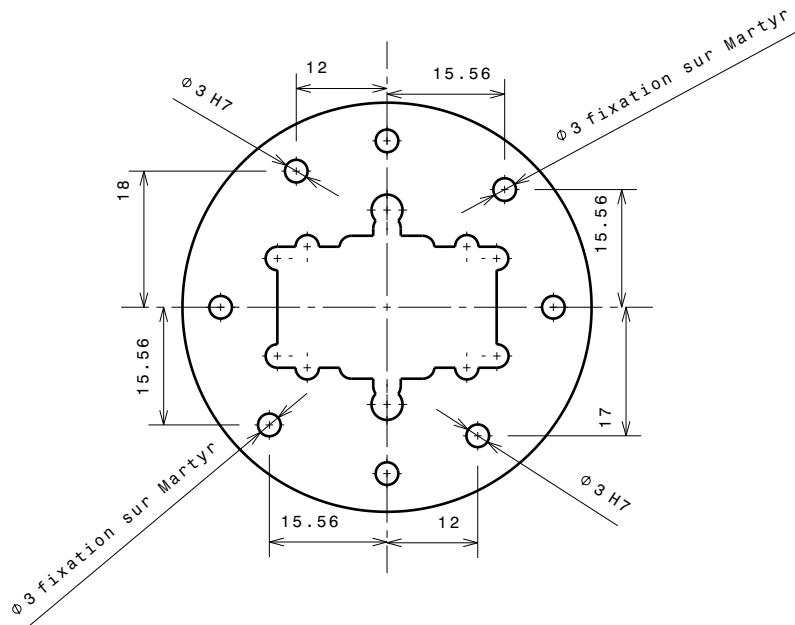
3

2

2

1

1



Vue de droite
Echelle : 1:1

Vue de face
Echelle : 1:1

DESIGNED BY: destor		IMS		I	—	
DATE: 15/03/2011		351, cours de la Libération- 33405 Talence Cedex		H	—	
CHECKED BY: XXX		Centreur PDMS		G	—	
DATE: 15/03/2011				F	—	
SIZE A4		MATTER XXX	TREATMENT XXX	TOLERANCE +/- 0.1	E	—
SCALE 1:1	MASS (kg) XXX	DRAWING NUMBER IMS-JJJ-PPP-XXXX-YYYY-00		SHEET 1/1	D	—
This drawing is our property; it can't be reproduced or communicated without our written agreement.					C	—
					B	—
					A	—

D

A