

RS-445PA/PD



Carbon-brush motors

OUTPUT : 3.0W~55W (APPROX)

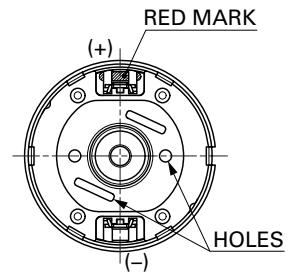
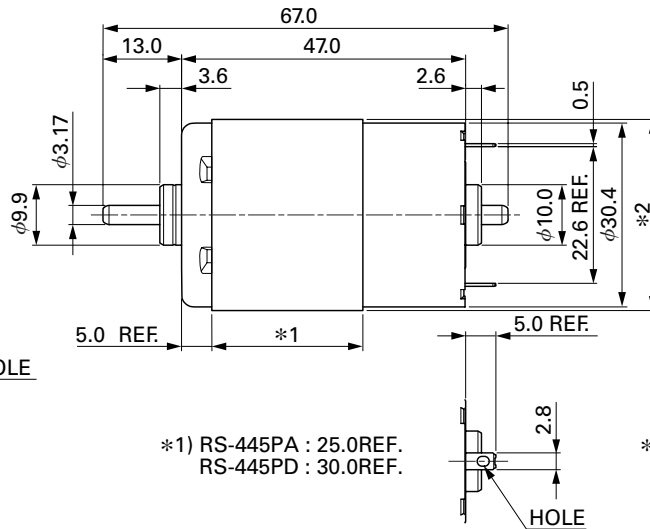
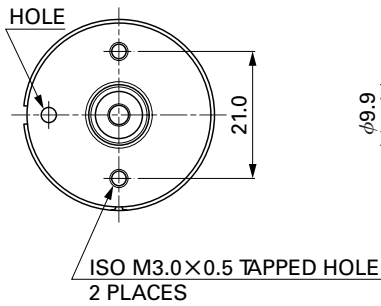
WEIGHT : 127g (APPROX)

Typical Applications Office Automation Equipment : Printer

MODEL	VOLTAGE		NO LOAD		AT MAXIMUM EFFICIENCY				STALL			
	OPERATING RANGE	NOMINAL	SPEED r/min	CURRENT A	SPEED r/min	CURRENT A	TORQUE mN-m	TORQUE g-cm	OUTPUT W	TORQUE mN-m	TORQUE g-cm	CURRENT A
RS-445PA-14230	12~42	*42V CONSTANT	6600	0.060	5500	0.30	13.6	139	7.82	81.6	832	1.50
RS-445PA-17145	12~30	24V CONSTANT	5700	0.085	4730	0.41	12.3	126	6.09	72.1	735	2.00
RS-445PD-15205	12~42	*42V CONSTANT	6400	0.045	5530	0.29	14.5	148	8.37	107	1091	1.84

*This operating voltage indicates the peak value in case of pulse-width modulation (PWM) power supply. Besides, as withstand voltage, 1800V for one second can not be guaranteed.

DIRECTION OF ROTATION



*1) RS-445PA : 25.0REF.
RS-445PD : 30.0REF.

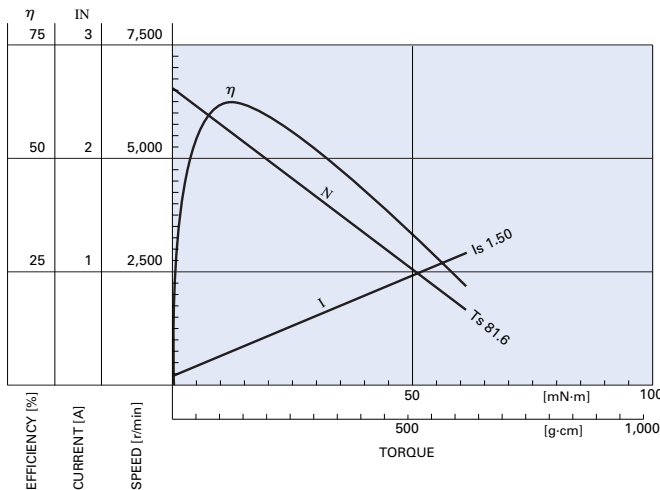
*2) RS-445PA : φ32.1MAX.
RS-445PD : φ33.5MAX.

Usable machine screw length 4.0 max. from motor mounting surface.

UNIT: MILLIMETERS

RS-445PA-14230

42.0V



RS-445PD-15205

42.0V

